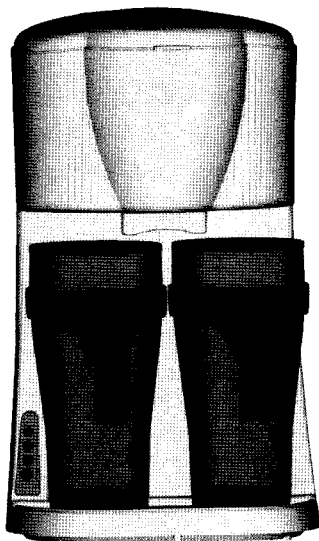


ZOJIRUSHI INSTRUCTION MANUAL



EC-BC28 DUAL MUG PERSONAL COFFEE MAKER

Zojirushi America Corporation

6529 Bandini Blvd., Commerce
CA 90040-3113

<http://www.zojirushi.com>

IMPORTANT SAFEGUARDS

When using electrical appliances, in order to reduce the risk of fire, electric shock, and/or injury, basic safety precautions should always be followed, including the following:

1. PLEASE READ ALL INSTRUCTIONS.
2. Do not touch hot surfaces. Use handle and knobs.
3. To protect against electric shock, do not place cord, plug, or Coffee Maker base in water or other liquids.
4. Close supervision is necessary when any appliance is used by or near children.
5. **Unplug from outlet when not in use and before cleaning.** Allow cooling before putting on or taking off parts and before cleaning the appliance.
6. **Do not operate coffeemaker without water in reservoir.**
7. Do not operate any appliance with a damaged cord or plug or after the appliance has malfunctioned or has been dropped or damaged in any manner. Return appliance to Repair Center for examination, repair, and electric or mechanical adjustment.
8. The use of accessory attachments not approved for use with this coffeemaker may result in fire, electric shock or injury.
9. Do not use outdoors.
10. Do not let cord hang over edge of table or counter, or touch hot surfaces.
11. Do not place on or near a hot gas or electric burner, or in a microwave oven or heated oven.
12. Always fill water reservoir first, then plug cord into the wall outlet. To disconnect, turn controls to "off". Then remove plug from wall outlet.
13. Do not use appliance for other than intended use.
14. Snap lid securely onto carafe before serving any beverages.
15. Scalding may occur if the lid is opened or removed during brewing.
16. The mug is designed for use with these appliances only. It must never be used on the range top.
17. Do not use cracked mug or a mug having a loose or weakened assembly.
18. Do not clean mug or warming plate with cleansers, steel wool pads, or other abrasive material.
19. **WARNING: TO PREVENT FIRE OR ELECTRIC SHOCK, NO USER SERVICEABLE PARTS ARE INSIDE. REPAIR SHOULD BE DONE BY AUTHORIZED PERSONNEL ONLY.**

SAVE THESE INSTRUCTIONS

FOR HOUSEHOLD USE ONLY

WARNING:

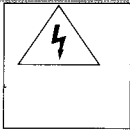
RISK OF FIRE OR ELECTRIC SHOCK



The lightning flash with arrowhead symbol, within an equilateral triangle, is intended to alert the user to presence of uninsulated "dangerous voltage" within the product's enclosure that may be of sufficient magnitude to constitute a risk of fire or electric shock to persons



The exclamation point within an equilateral triangle is intended to alert the user to the presence of important operating and maintenance (servicing) instructions in the literature accompanying the appliance.



WARNING
RISK OF FIRE OR ELECTRIC SHOCK
DO NOT OPEN



WARNING, TO REDUCE THE RISK OF FIRES OR ELECTRIC SHOCK,
DO NOT REMOVE COVER (OR BACK)
NO USER-SERVICEABLE PARTS INSIDE
REPAIR SHOULD BE DONE BY AUTHORIZED SERVICE PERSONNEL ONLY

NOTICE

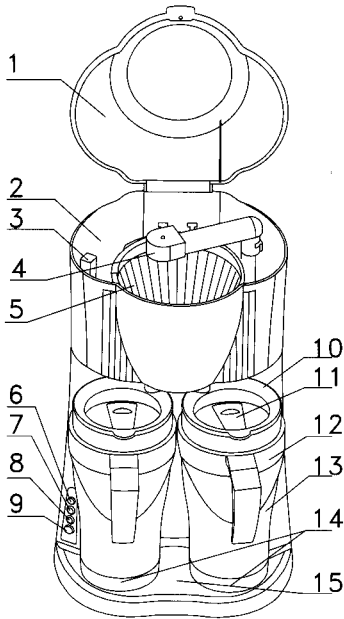
This appliance has a polarized plug (one blade is wider than the other). To reduce the risk of electric shock, this plug will fit in a polarized outlet only one way. If the plug does not fit fully in the outlet, reverse the plug. If it still does not fit, contact a qualified electrician. Do not modify the plug in any way.

OPERATING NOTICE

Clogging and backing up of water and or coffee in the filter basket can occur under any or a combination of any of following conditions: the use of too finely ground coffee; using two or more paper filters; using the gold filter in conjunction with a paper filter or not properly cleaning coffee grounds from the gold filter; or allowing coffee grounds to spill over the filter.

Caution: never open the filter basket during the brewing cycle, even if no water is draining from the filter basket, since extremely hot water/coffee can spill out from the filter basket and cause injury. If water /coffee is not draining from the filter basket during the brewing cycle, unplug the unit and wait 10 minutes before opening and checking the filter basket.

OPERATING INSTRUCTION



- 1. Top Cover
- 2. Reservoir
- 3. Water Level Indicator
- 4. Water Outlet
- 5. Filter Basket
- 6. One-Cup Switch
- 7. Indicator Lens For One-Cup
- 8. Indicator Lens For ON/OFF
- 9. 2 CUP ON/OFF Switch
- 10. Mug Cover
- 11. Mug Slide Cover
- 12. Mug Handle
- 13. Mug
- 14. Two-Cup Position
- 15. One-Cup Position

Before first use

Before brewing the first mug of coffee, we recommend operating the coffeemaker once using only water and a filter paper. This will remove any dust or residue in the system that remains from the manufacturing process. **Never immerse unit or cord in water or other liquid.**

Preparation for brewing coffee

Be sure power switch is in the OFF position, open the top cover, fill the water reservoir to the appropriate amount which is indicated with " MAX" by water level indicator. Pull filter basket out and place #2 cone filter paper into filter basket. Add the desired amount of ground coffee, corresponding to the number of cups being brewed. We recommend using 3 to 4 tablespoons of ground coffee per mug. Use more or less to suit your taste. Replace filter basket in holder. Close the top cover.

Before brewing

1. For best results, rinse inside of mugs with warm water before brewing to optimize heat of coffee.
2. Make sure the stainless steel mugs are placed in their correct positions and that the mug covers are secure. You can brew coffee into the mugs without the mug cover, or with the mug cover, but be sure the mug slide cover is in open position.

Plug cord into electrical outlet.

Brewing for 2 CUP

Simply press 2 CUP ON/OFF switch to turn on. The indicator lens for 2 CUP ON/OFF will light.

Brewing for 1 CUP

Press 1-Cup switch to turn on. OR

Press 2-Cup ON/OFF switch to turn on, and then press 1 CUP.

Both lenses will light up.

When brewing is complete, always close mug slide cover to remain heat.

FOR SECOND BREWING: Turn unit off and allow cooling for 10 minutes before brewing a second brewing. If less than 10 minutes pass, hot water left in the water outlet could splash out. Then, wait for 2 minutes after pouring water into the unit to start a new brewing cycle. If the unit has not cooled down yet, the indicator lens would NOT be lit even though you have pressed it!

CLEANING AND MAINTENANCE

This appliance requires little maintenance. **To reduce the risk of electric shock, do not open or remove lower cover of unit.** It contains no user serviceable parts. Do not try to repair it yourself.

Refer it to qualified personnel if servicing is needed.

TO CLEAN: at least once a month, fill mug half-full with white vinegar, add cold water until is filled. Pour water and vinegar into water reservoir. Place filter in fill holder, place mug on position and turn unit ON. Allow to steam and drip.

Allow unit to cool for 10 minutes; then rinse unit by filling water reservoir with clean, cold water and allowing water to drip into mug. Unplug the unit and clean mug and filter basket. When unit has cooled, wipe with a dry cloth.

The mug and filter basket may be washed in warm, soapy water. The unit can be wiped clean with a soft, slightly damp cloth. Never use abrasive scouring pads or cleanser. **Never immerse unit in water or any other liquid.**

TO STORE: unplug unit; store in its box in a clean, dry place. Never store it while it is hot or still plugged in. Never wrap cord tightly around the appliance. Do not put any stress on the cord where it enters the unit as it could cause the cord to fray and break.