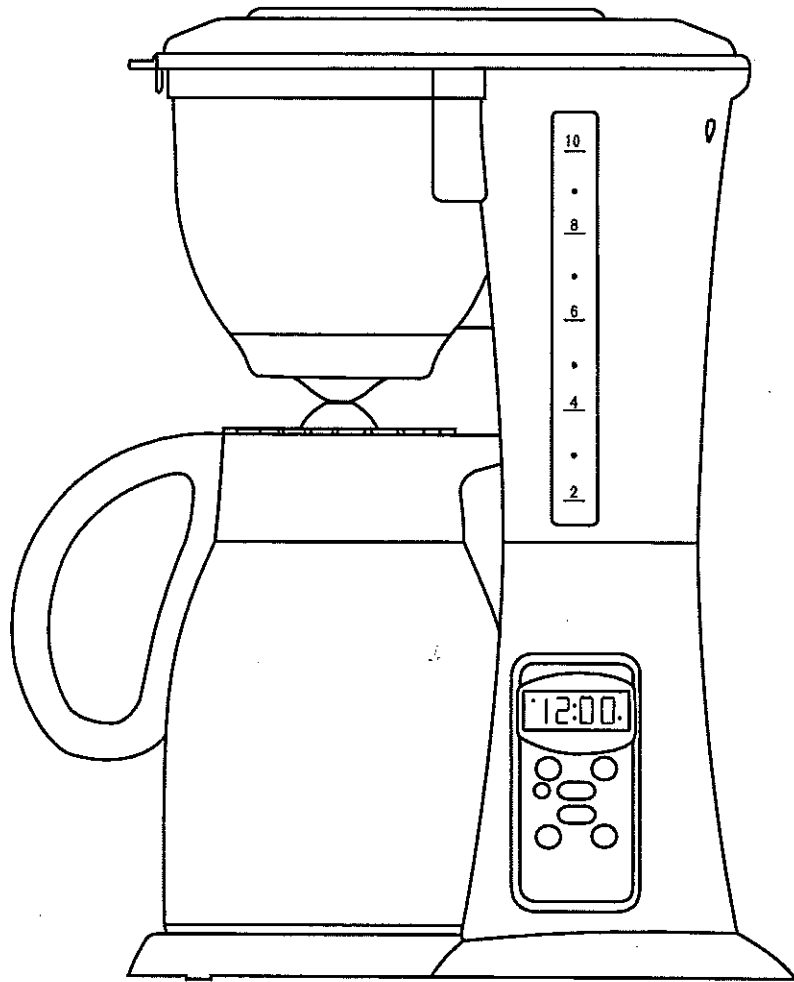


# ZOJIRUSHI INSTRUCTION MANUAL



**EC-BD15 Fresh Brew  
Stainless Steel Thermal Carafe Coffee Maker**

**ZOJIRUSHI AMERICA CORPORATION**

**TEL: 800-733-6270**

**[www.zojirushi.com](http://www.zojirushi.com)**

# IMPORTANT SAFEGUARDS

When using electrical appliances, in order to reduce the risk of fire, electric shock, and/or injury, basic safety precautions should always be followed, including the following:

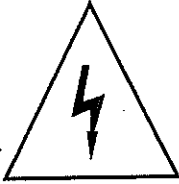

1. PLEASE READ ALL INSTRUCTIONS.
2. Do not touch hot surfaces. Use handle and knobs.
3. To protect against electric shock, do not place cord, plug, or Coffee Maker base in water or other liquid.
4. Close supervision is necessary when any appliance is used by or near children.
5. **Unplug from outlet when not in use and before cleaning.** Allow cooling before putting on or taking off parts and before cleaning the appliance.
6. **Do not operate coffeemaker without water in reservoir.**
7. Do not operate any appliance with a damaged cord or plug or after the appliance has malfunctioned or has been dropped or damaged in any manner. Return appliance to Repair Center for examination, repair, and electric or mechanical adjustment.
8. The use of accessory attachments not approved for use with this coffeemaker may result in fire, electric shock or injury.
9. Do not use outdoors.
10. Do not let cord hang over edge of table or counter, or touch hot surfaces.
11. Do not place on or near a hot gas or electric burner, or in a microwave oven or heated oven.
12. Always fill water reservoir first, then plug cord into the wall outlet. To disconnect, turn controls to "off". Then remove plug from wall outlet.
13. Do not use appliance for other than intended use.
14. Screw lid securely onto carafe before serving any beverages.
15. Scalding may occur if the lid is opened or removed during brewing.

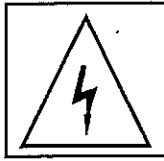
16. The carafe is designed for use with these appliances only. It must never be used on the range top.
17. Do not use cracked carafe or a carafe having a loose or weakened assembly.
18. Do not clean carafe or warming plate with cleansers, steel wool pads, or other abrasive material.
19. **WARNING: TO PREVENT FIRE OR ELECTRIC SHOCK, NO USER SERVICEABLE PARTS ARE INSIDE. REPAIR SHOULD BE DONE BY AUTHORIZED PERSONNEL ONLY.**

## SAVE THESE INSTRUCTIONS FOR HOUSEHOLD USE ONLY

### WARNING

## RISK OF FIRE OR ELECTRIC SHOCK

	<p>The lightning flash with arrowhead symbol, within an equilateral triangle, is intended to alert the user to presence of uninsulated " dangerous voltage " within the product's enclosure that may be of sufficient magnitude to constitute a risk of fire or electric shock to persons.</p>
	<p>The exclamation point within an equilateral triangle is intended to alert the user to the presence of important operating and maintenance (servicing) instructions in the literature accompanying the appliance.</p>



RISK OF FIRE OR ELECTRIC SHOCK  
DO NOT OPEN



WARNING, TO REDUCE THE RISK OF FIRES OR ELECTRIC SHOCK  
DO NOT REMOVE COVER (OR BACK)  
NO USER-SERVICEABLE PARTS INSIDE  
REPAIR SHOULD BE DONE BY AUTHORIZED SERVICE PERSONNEL ONLY

## NOTICE

This appliance has a polarized plug (one blade is wider than the other). To reduce the risk of electric shock, this plug will fit in a polarized outlet only one way. If the plug does not fit fully in the outlet, reverse the plug. If it still does not fit, contact a qualified electrician. Do not modify the plug in any way.

## OPERATING NOTICE

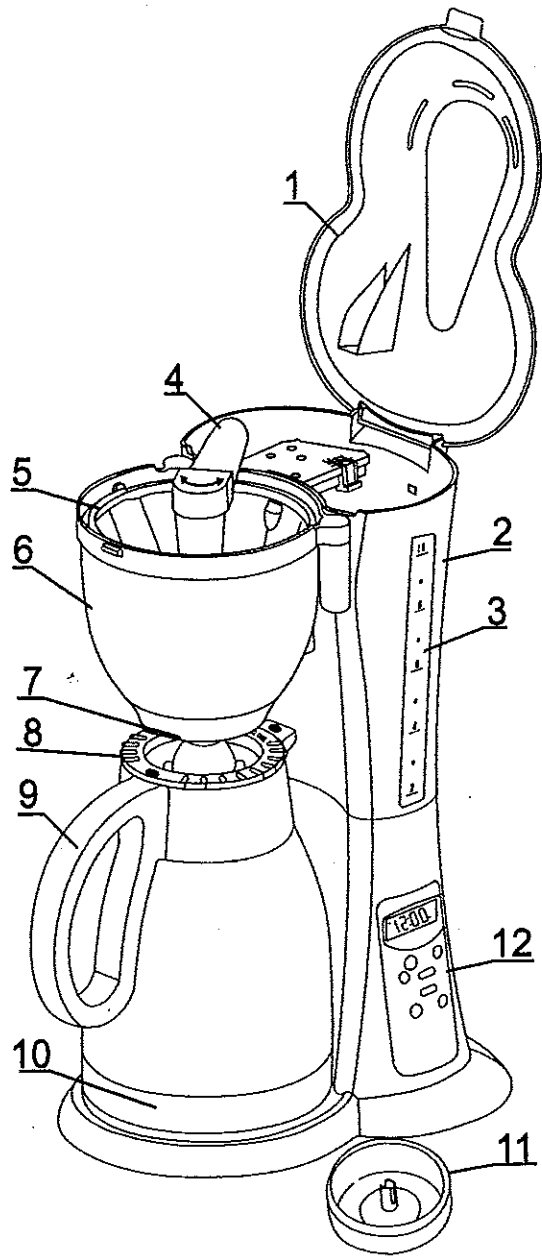
Clogging and backing up of water and or coffee in the filter basket can occur under any or a combination of any of following conditions: the use of too finely ground coffee; using two or more paper filters; using the gold filter in conjunction with a paper filter or not properly cleaning coffee grounds from the gold filter; or allowing coffee grounds to spill over the filter.

Caution: never open the filter basket during the brewing cycle, even if no water is draining from the filter basket, since extremely hot water /coffee can spill out from the filter basket and cause injury. If water /coffee is not draining from the filter basket during the brewing cycle, unplug the unit and wait 10 minutes before opening and checking the filter basket.

Do not brew a new batch until the operation light turns off (It may take up to 20minutes after brewing completes.)

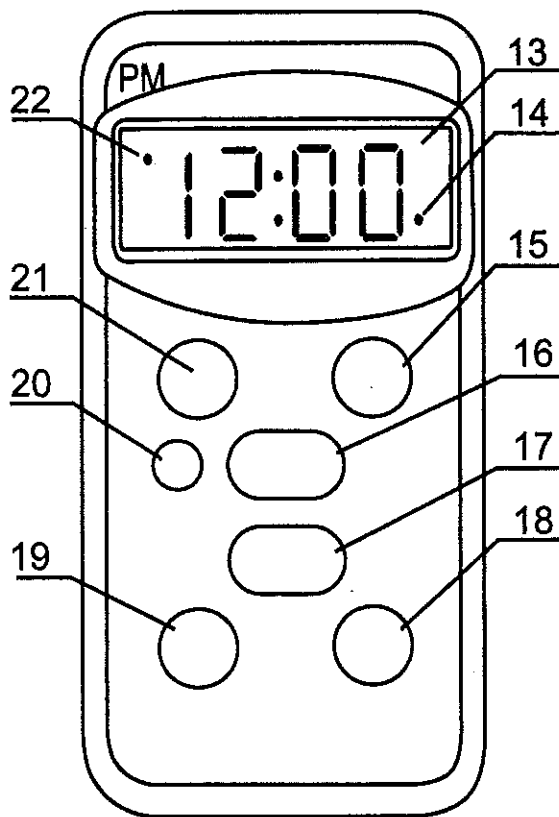
Do not use warm water. This will damage the heating element.

# Operating instructions



1. Lid
2. Reservoir
3. Water level indicator
4. Water outlet
5. Inner filter basket
6. Stainless steel filter basket
7. Pause and serve
8. Carafe cover
9. Carafe handle
10. Thermal carafe
11. Carafe lid
12. Control panel

## Control panel



- 13. Display
- 14. Auto indicator
- 15. Min. button
- 16. ON button
- 17. OFF button
- 18. Auto button
- 19. Prog. button
- 20. Power indicator
- 21. Hour button
- 22. PM indicator

### Before first use

Before brewing the first pot of coffee, we recommend operating the coffeemaker once using only cold water and a filter paper. This will remove any dust or residue in the system that remains from the manufacturing process. **Never immerse unit or cord in water or other liquid.**

### Programmable clock/timer

#### To Set Clock:

1. Plug in coffeemaker. Numbers on the clock will flash until the time is set or the coffeemaker is turned ON.
2. Press the Hour button until the current hour is displayed. A red dot will glow to indicate PM. Press the Min. button until the current minute is displayed. The clock is now set.

## Making coffee

3. Swing out the water outlet; place a #4 cone-shaped disposable paper filter in the inner filter basket.
4. For each cup of coffee being made, place one level scoop (or 1 tablespoon) of coffee into filter.

Note: The amount of ground coffee used depends on personal taste preference.

Medium ground coffee is recommended.

5. Loosen the carafe cover, fill the carafe with cold water, and then tighten the carafe cover.
6. Pour cold water from the thermal carafe into the reservoir up to the desired level as shown on the water level indicator. Return the carafe to the brewing platform.
7. Close the lid, water outlet will automatically return to the brewing position.
8. If using the programmable clock feature, follow steps 9-11. If not, simply press the ON button to start brewing. The coffeemaker has a pause and serve feature, this makes it convenient for you drink coffee while coffee is brewing.

## To Program Automatic Brew:

9. Make sure clock is set for correct time of day.
10. Press and hold the Prog. button while pressing the Hour button to set hours; then press the Min. button to set minutes until the desired brew time is displayed.
11. To have coffeemaker automatically begin brewing, press the Auto button. A red dot will glow in the lower right corner to indicate that the coffeemaker is ready to begin automatic brewing.

Note: The coffee maker should automatically shut off (Power indicator turns off) after 15 minutes operation. Do not add water in the tank while the power indicator is "ON".

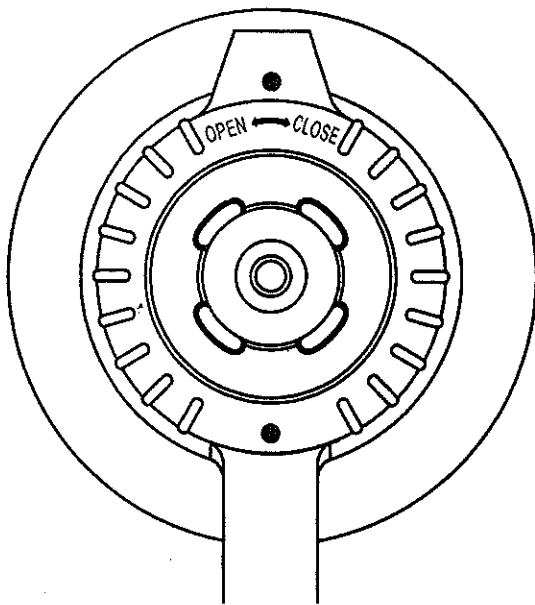
## Pause and Serve

This feature allows you to pour a cup of coffee before the entire brew cycle has completed. By removing the carafe, the flow of coffee will temporarily stop. The flow of coffee will resume when carafe is returned on position.

Note: Do not remove carafe more than 30 seconds or brew basket may overflow.

12. After the coffeemaker cools down, open the lid, swing out water outlet, lift inner filter basket to wash and replace filter for next brewing .

## How to use thermal carafe



1. Thermal carafe keeps coffee hot and fresh tasting and does not need a hot plate.
2. Before brewing ,close carafe cover, double direction arrow (CLOSE&OPEN) will be directed indicator "O" on carafe spout. Do not put carafe lid on carafe cover. Put thermal carafe on brewing position.
3. After brewing is complete, remove the thermal carafe

from brew position, close carafe lid ,this will keep the coffee warm and fresh for hours.

4. To pour coffee, rotate carafe cover half turn (180°), carafe cover's indicator "O" will be directed carafe's indicator "O". Then coffee can be poured from thermal carafe.



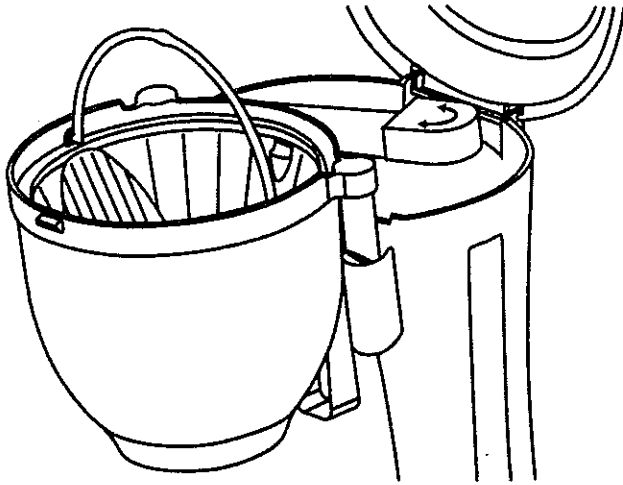
## Cleaning and maintenance

This appliance requires little maintenance. **To reduce the risk of electric shock, do not open or remove lower cover of unit.** It contains no user serviceable parts. Do not try to repair it yourself. Refer it to qualified personnel if servicing is needed.

### To clean coffeemaker

1. Plug in the coffeemaker.
2. Pour a 1/2 cup of plain white vinegar into thermal carafe, add cold water until is filled.
3. Pour water and vinegar into water reservoir. Place filter in fill holder, place thermal carafe on platform and turn unit ON. Allow to steam and drip.
4. Allow unit to cool for 10 minutes; then rinse unit by filling water reservoir with clean, cold water and allowing water to drip into thermal carafe.
5. Unplug the unit and clean thermal carafe and inner filter basket. When unit has cooled , wipe with a dry cloth. Thermal carafe and filter basket may be washed in warm, soapy water. The unit can be wiped clean with a soft, slightly damp cloth.

## To clean stainless steel filter basket



1. After the coffeemaker cools down, open lid, and then swing out water outlet, lift up the stainless steel filter basket from reservoir.
2. Stainless steel filter basket may be washed in warm, soapy water. After washing, insert the basket into reservoir using the two holes on the brewing unit.

**Note:** Never use abrasive scouring pads or cleanser. Never immerse unit in water or any other liquid.

### TO STORE:

**Caution:** Do not only grip stainless steel filter basket while moving or storing the coffeemaker. The filter basket is designed to be detachable for washing .

Unplug unit; store in its box in a clean, dry place. Never store it while it is hot or still plugged in. Never wrap cord tightly around the appliance. Do not put any stress on the cord where it enters the unit as it could cause the cord to fray and break.

# SHORT CORD INSTRUCTIONS

- A. A short power- supply cord (or detachable power-supply cord) is to be provided to reduce risks resulting from becoming entangled in or tripping over a longer cord.
- B. Longer detachable power-supply cords or extension cords are available and may be used if care is exercised in their use.
- C. If a long detachable power-supply cord or extension cord is used,
  - 1) The marked electrical rating of the detachable power-supply cord or extension cord should be at least as great as the electrical rating of the appliance.
  - 2) If the appliance is of the grounded type, the extension cord should be a grounding type 3-wire cord, and
  - 3) The longer cord should be arranged so that it will not drape over the counter top or table top where it can be pulled on by children or tripped over.