



FISH ROASTER

양면 생선전기그릴

フィッシュロースター

OPERATING INSTRUCTIONS

사용설명서

取扱説明書

EF-VPC40

INDEX / 목차 / もくじ

IMPORTANT SAFEGUARDS	2	安全上のご注意	22
SPECIFICATIONS	5	各部のなまえ	24
PARTS NAMES	6	使い方	25
HOW TO USE	7	部品のはずし方	28
HOW TO DISASSEMBLE	10	お手入れ	29
CLEANING AND MAINTENANCE	11	故障かなと思ったとき	30
TROUBLESHOOTING GUIDE	11	仕様	30
안전상의 주의	12		
각부의 명칭	14		
사용방법	15		
부품 탈착 방법	18		
손질방법	19		
고장인가 생각되면	20		
사양	20		

IMPORTANT SAFEGUARDS

Basic safety precautions should always be followed when using electrical appliances, including the following:

1. Read all instructions thoroughly.
2. Avoid touching hot surfaces and do not close or clog the exhaust duct or air duct under any circumstances. The handles and knobs are provided for your safety and protection.
3. To safeguard against fire, electric shock and possible injury, keep the power cord, plugs and the appliance away from water or other liquids.
4. Close supervision is necessary when any appliance is used by or near children.
5. Unplug from outlet when not in use and before cleaning. Allow the appliance to cool before adding or removing parts, and before cleaning the appliance. Make sure appliance is OFF when not in use, before putting on or taking off parts, and before cleaning.
6. Do not operate any appliance with a damaged cord or plug. If the appliance malfunctions or has been damaged in any manner, unplug the appliance and return it to the nearest authorized service facility for examination, repair or adjustment.
7. The use of accessories or attachments not recommended by the appliance manufacturer may result in fire, electric shock or other injury to persons.
8. Do not use outdoors.
9. Keep the power cord away from hot surfaces and do not let the cord hang over the edge of tables or counters.
10. Do not place on or near a heated surface such as a gas or electric stove, or in a heated oven.
11. Always use extreme cautions when moving appliances containing hot contents or liquids.
12. Plug the cord into a household electrical outlet. To disconnect, turn the power control to OFF, then remove plug from wall outlet.
13. Do not use the appliance for other than intended use.

SAVE THESE INSTRUCTIONS

THIS APPLIANCE IS FOR HOUSEHOLD USE ONLY.

This appliance is supplied with a short power cord to reduce the risk of becoming entangled in or tripping over. Extension cords may be used if care is exercised in their use. If an extension cord is used, the marked electrical rating of the cord should be at least as great as the electrical rating of the appliance, and a longer cord should be arranged so that it will not drape over the countertop or tabletop where it can be pulled on by children or tripped over unintentionally.


This appliance has a polarized plug (one blade is wider than the other). To reduce the risk of electric shock, this plug was designed to fit into a polarized outlet in only one direction. If the plug does not fit fully into the outlet, do not attempt to force it or modify it in any way. Simply reverse the plug and insert. If it still does not fit, contact a qualified electrician.


IMPORTANT SAFEGUARDS

Be sure to follow the instructions.


These WARNINGS and CAUTIONS are intended to prevent property damage or personal injury to you and others.

■ The degree of danger or damage by the misuse of this product is indicated as follows:

 **WARNINGS** Indicates risk of serious injury or death.

 **CAUTIONS** Indicates risk of injury, household or property damage if mishandled.

■ Prohibited or required actions are indicated as follows:

 Indicates a prohibited operation.

 Indicates a requirement or instruction that must be followed.

WARNINGS



Do not modify the product. Only a repair technician may disassemble or repair this unit.

Attempting to do so may cause fire, electric shock or injury. Make any repair inquiries to Zojirushi Customer Service.



Do not immerse the product in water or splash it with water.

Doing so may cause short circuit or electric shock.



Do not plug or unplug the Power Plug if your hands are wet.

Doing so may cause electric shock or injury.



Do not use a power source other than 120V AC.

Use of any other power supply voltage may cause fire or electric shock.

Do not allow children to use the product unsupervised. Keep it out of the reach of infants.

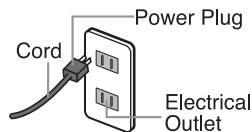
Children are at risk of burns, electric shock or injury.

Do not use the product near flammable items or items vulnerable to heat, such as curtains.

Doing so may cause fire.

Do not use the product if the Power Plug or Cord is damaged or if the Power Plug is loosely inserted into the electrical outlet.

Doing so may cause electric shock, short circuit or fire.



Do not damage the Power Cord. Do not bend, pull, twist, fold, or attempt to modify the Power Cord. Do not place it on or near high temperature surfaces or appliances, under heavy items or between objects.

A damaged Power Cord can cause fire or electric shock.



If the blades or surface of the Power Plug become soiled, wipe them clean.

A dirty Power Plug may cause fire.

Use only an electrical outlet rated at 15 amperes minimum, and do not plug other devices into the same outlet.

Plugging other devices into the same outlet may cause the electrical outlet to overheat, resulting in fire.

Insert the Power Plug completely and securely into the electrical outlet.

A loosely inserted Power Plug may cause electric shock, short circuit, smoke or fire.

Stop using immediately if you notice any of the following symptoms indicating a malfunction or breakdown.

Continued use of the product may cause smoke, fire, electric shock or injury.

- The Power Plug or Cord has become very hot.
- The Cord is deeply damaged or deformed.
- There is a burning smell.
- One or more parts of the product are cracked, loose or unstable.
- The electricity turns on and off when the Cord is touched or moved.
- You feel a tingle or slight electrical shock.
- The product does not operate even though the Timer Knob is turned ON.
- Water leaks from the Main Body.

If any of the above occurs, unplug the product immediately and contact Zojirushi Customer Service for check-ups and/or repairs.





This product is not intended for use by persons (including children) with reduced physical, sensory or mental capabilities, or lack of experience and knowledge, unless they have been given supervision or instruction concerning use of the product by a person supervised to ensure that they do not play with the product.

● The illustrations used in this Operating Instructions may vary from the actual product you have purchased.

IMPORTANT SAFEGUARDS (cont.)



CAUTIONS

 <p>Do not touch hot surfaces during or immediately after use. Touching hot surfaces may cause burns.</p>	 <p>During preheating or cooking, move birds and small animals that may be sensitive to smoke or smells to other rooms, and open windows or turn on exhaust fans.</p>
 <p>Do not place or use the product on unstable surfaces or on surfaces that are vulnerable to heat. Doing so may cause fire.</p>	<p>Always unplug the product by holding the Power Plug, not by pulling the Cord. Pulling the Cord to unplug the product may cause electric shock, short circuit or fire.</p>
<p>Do not overheat the product. Doing so may cause the product to catch fire.</p>	<p>Allow the product to cool down before cleaning. Some parts may cause burns when hot.</p>
<p>Never leave the product unattended during operation. Foods may catch on fire.</p>	<p>Be sure to clean after every use. Food scraps and oil left behind may cause smoke or catch fire.</p>
<p>Do not operate the product with objects on top or underneath it. The product or object may deform, melt or cause fire.</p>	<p>Always make sure the Water Tray is set before use. Operating the product without the Water Tray may cause it to catch fire.</p>
<p>Do not use the product near walls or furniture. Heat may damage, discolor or deform walls or furniture. (See pg.6 "KEEP AWAY FROM FLAMMABLES")</p>	<p>If foods begin to smoke or catch fire, immediately turn the Timer Knob to OFF and unplug the Power Plug. If foods catch fire, do not open the Lid until the flame extinguishes. Do not attempt to put out the fire by pouring water on it, as it may cause the Glass Window to break.</p>
 <p>Unplug the Power Plug from the electrical outlet when the product is not in use. Leaving the Power Plug in an outlet may cause the insulation to become damaged, resulting in electric shock, short circuit or fire.</p>	<p>If the Cord is damaged, it must be replaced by the manufacturer, its service agent or similarly qualified persons to avoid hazards.</p>

IMPORTANT

<ul style="list-style-type: none"> ■ Do not use for commercial purposes. ■ Keep your face away from the product when opening the Lid during or immediately after cooking. Hot steam or smoke may arise and cause scalding. ■ Add more water to the Water Tray when cooking consecutively. Do not cook consecutively if the food is rich in oil or fat. Doing so may cause fire. ■ Do not splash water on the Glass Window while in operation. Doing so may damage the Glass Window. ■ Allow the product to cool down naturally after use or when it is accidentally turned on. Forcing it to cool down with use of water or other methods may damage the product. ■ Handle the Lid and Water Tray gently. This will prevent damages to the product. ■ Do not tilt the product. Water may spill or cause breakdown of the product. ■ Do not place foods directly on the Heaters to cook. Doing so may cause fire. ■ Always add water in the Water Tray when operating the product. Operating the product without water in the Water Tray may cause fire. ■ Do not cover the Exhaust Duct and Air Duct. Doing so may damage the product. 	<ul style="list-style-type: none"> ■ Do not use cooking sheets or baking stones. Doing so may cause smoke, fire or burns. ■ Do not cook foods that may expand in size or become warped such as rice cakes or dried squids. Foods may come in contact with the Heaters and cause fire. ■ Be sure to close the Lid. Operating the product with the Lid open may cause fire. ■ Do not operate the product on surfaces that are vulnerable to heat such as tablecloths or carpets. Doing so may cause fire. ■ Do not carry the product by the Lid Handles. The Lid or the product may fall and cause injury to persons or damage the product. ■ This product is intended for household use and similar applications listed below: <ul style="list-style-type: none"> • Staff (employee) kitchen areas in shops, offices and other working environments. ※ This product is not intended for use by many unspecified people for a long period of time. ■ This product must not be used in the following areas: <ul style="list-style-type: none"> • Farm houses. • By clients in hotels, motels and other residential type environments. • Bed and breakfast type environments. ■ Appliances are not intended to be operated by means of an external timer or separate remote-control system.
--	--

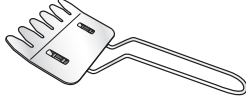
SPECIFICATIONS

Model No.		EF-VPC40
Rating		AC 120V 60Hz
Electric Consumption		1300W
Length of the Cord		4' 7" (1.4m)
External Dimensions	(approx. inches)	19- ¹ / ₈ (W) x 11- ⁵ / ₈ (D) x 7- ³ / ₄ (H)
	(approx. cm)	48.5 (W) x 29.5 (D) x 19.5 (H)
Rack Dimensions	(approx. inches)	13- ³ / ₄ (W) x 8- ¹ / ₄ (D)
	(approx. cm)	35 (W) x 21 (D)
Weight		Approx. 11 lbs. (4.8 kg)

PARTS NAMES

ACCESSORY:

Food Server



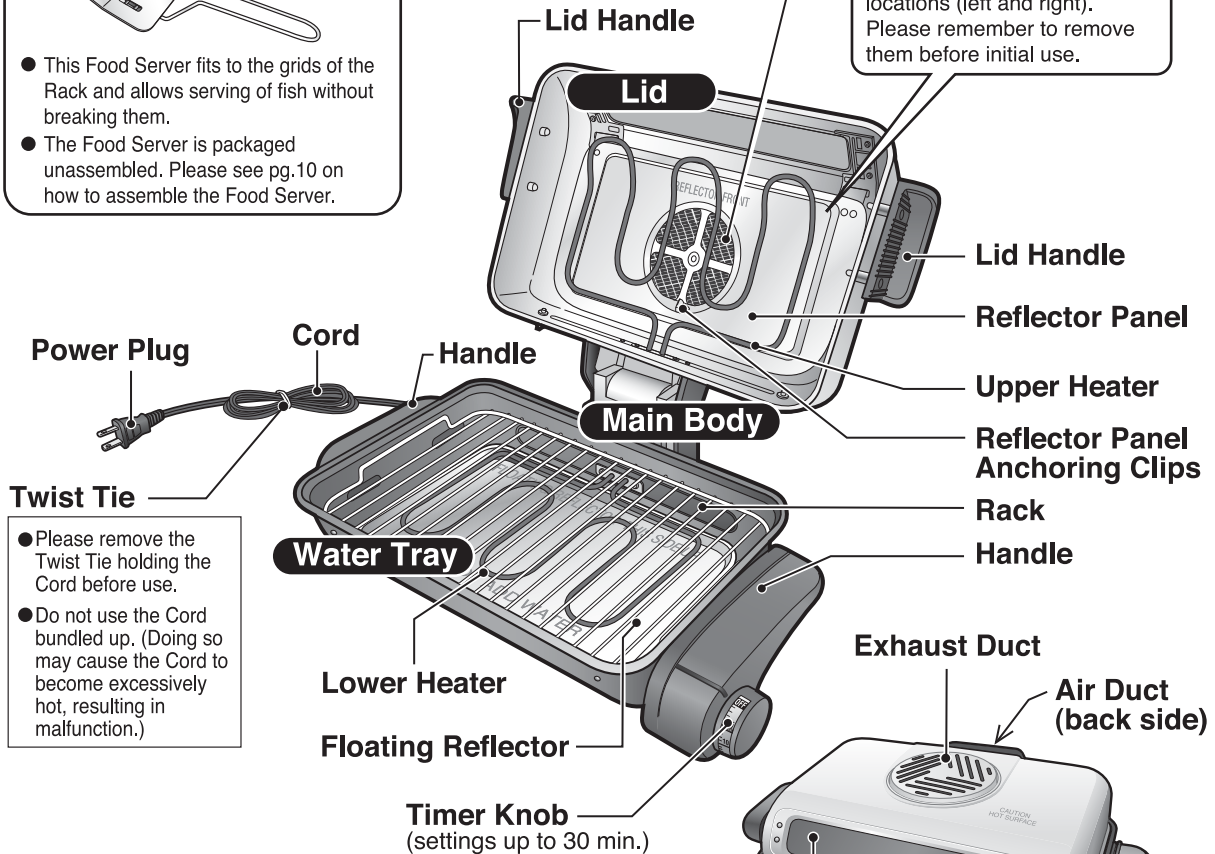
- This Food Server fits to the grids of the Rack and allows serving of fish without breaking them.
- The Food Server is packaged unassembled. Please see pg.10 on how to assemble the Food Server.

Catalytic Filter

Removes approx. 90% of smoke and odor components.*1

NOTE

In order to stabilize it during shipment, the Reflector Panel is taped to the Lid on 2 locations (left and right). Please remember to remove them before initial use.



Twist Tie

- Please remove the Twist Tie holding the Cord before use.
- Do not use the Cord bundled up. (Doing so may cause the Cord to become excessively hot, resulting in malfunction.)

*1 Testing method

① Smoke Removal Efficiency:

Using an NBS smoke chamber (based on US industrial standard ASTM-E662), the smoke density was measured and the smoke removal efficiency was calculated (tests performed by Zojirushi).

② Odor Component Removal Efficiency:

Using gas chromatography, the concentration of propionaldehyde *2 was measured and its removal efficiency *3 was calculated (tests performed by Zojirushi).

*2 Propionaldehyde: The odor component released when pacific saury (Sanma) is grilled.

*3 This is a measurement of the base components of odor (propionaldehyde), and is not an actual comparison of odors.

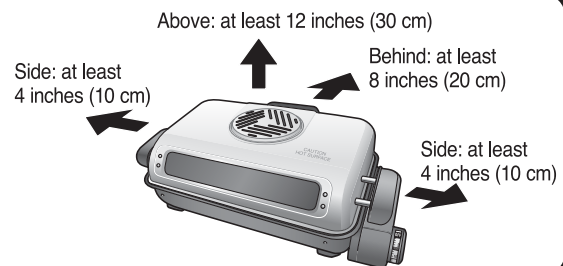
Glass Window

Floating Reflector

The Floating Reflector is floated on the water in the Water Tray during use. It reflects the heat from the Lower Heater to prevent the water from evaporating, enhancing crispiness.

KEEP AWAY FROM FLAMMABLES:

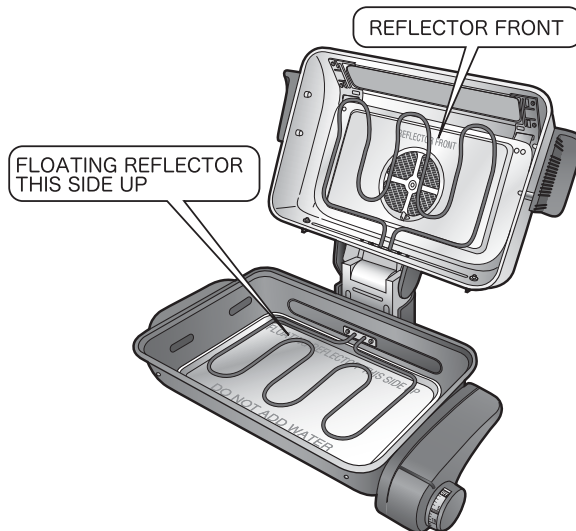
- Please keep the distances in the illustration between the product and its surroundings (in cases when the flammables are wooden walls and furniture) to prevent fire. Please leave some open space in front of the product as well.
- Make sure that vinyl cloths and walls or furniture etc. made of resin or other heat-sensitive materials are even further away than specified in the illustration. (The heat may warp or discolor such objects.)



HOW TO USE

Before use

- Do not use the product for purposes other than food preparation.
- Please remove all packaging placed inside the product before use.
- You may see light smoke the first time you use the product. This is normal. The smoke is harmless and will soon disappear.
- Be sure to check that the Lid, Reflector Panel, Water Tray, and Floating Reflector are securely set.
- Be sure to remove the Lid before removing the Water Tray. If you try to remove the Water Tray while the Lid is open, there is a danger that the Main Body and Lid will fall backward. (See pg.10 "HOW TO DISASSEMBLE")
- When attaching the Reflector Panel and Floating Reflector, use the "REFLECTOR FRONT" and "FLOATING REFLECTOR THIS SIDE UP" marks as a guide.



1 Insert the Power Plug into an electrical outlet.

Be sure to check that the Timer Knob is at the OFF position.

2 Add water to the Water Tray.

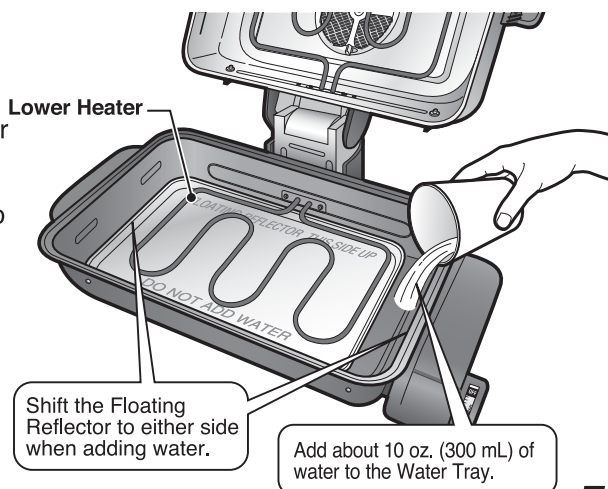
Add about 10 oz. (300 mL) of water to the Water Tray.

- Be sure to add water to the Water Tray before using the product. Doing so will help prevent the lining of the Lid and the coating of the Water Tray from peeling, which will prevent corrosion and malfunctions.
- Do not use this product without water in the Water Tray.
- When adding water, be careful not to splash water onto the Lower Heater.
- In order to keep water out of the Floating Reflector, shift it to either side and add water to the Water Tray.
- Do not overfill the Water Tray.
- If the water level in the Water Tray drops too low during cooking, add more water.

● In the following situations, the automatic safeguard will activate and the heaters will not work.

- When no water is placed in the Water Tray.
- When water in the Water Tray evaporates completely.

Allow the Main Body to cool down (approx. 20 min.), place water in the Water Tray, and then try using the product again.



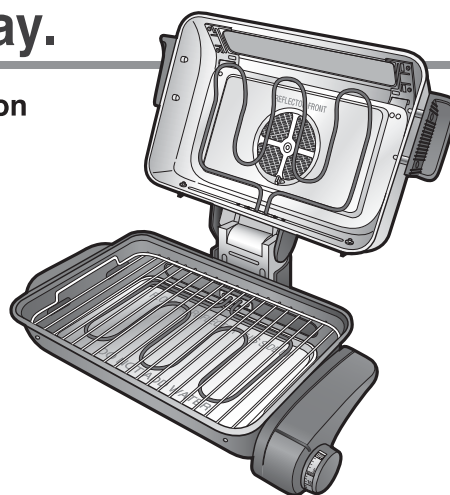
HOW TO USE (cont.)

3 Set the Rack in the Water Tray.

Flip the Rack to adjust the Rack height depending on the thickness of the food.

For thick fish/food
(Front: Standard setting)

For thin fish/food
(Back)

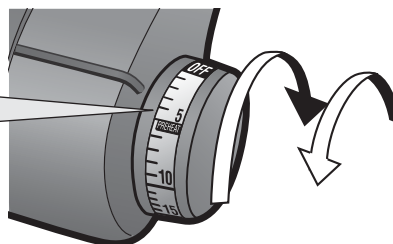


4 Preheat for 5 minutes.

Close the Lid and turn the Timer Knob to “5 PREHEAT”.

- The timer will sound when the preheat cycle is completed.

When setting the Timer Knob to “PREHEAT” or less than “10”, first turn past “11”, then turn back to the desired time.



5 Begin roasting.

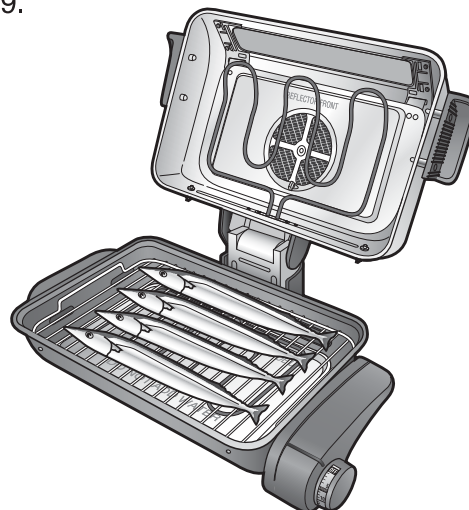
① Open the Lid and place food on the Rack.

- When roasting thicker fish, place toward the back of the Rack rather than the front. If placed at the front of the Rack, it may come into contact with the Upper Heater.

② Close the Lid and turn the Timer Knob to the desired cooking time (heating will start).

- Please see the “Suggested Roasting Times” on pg.9.

- Check the roasting progress through the Glass Window.
- Add more water to the Water Tray if it has evaporated while cooking. Add water through the gap between the Water Tray and the Floating Reflector to avoid splashing water onto the Lower Heater.
- If opening the Lid while cooking, be careful not to touch the Heaters and other metal parts, as they will become very hot. Doing so may cause burns.
- If the water evaporates while cooking, the Handles may become hot.
- Be careful not to overheat.

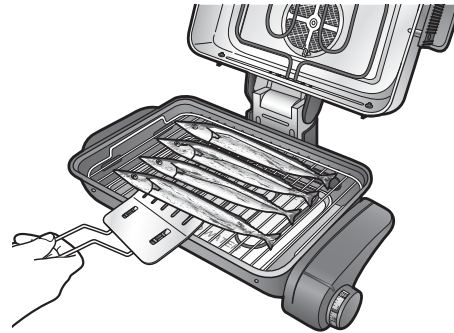


To stop roasting, turn the Timer Knob to OFF.

6 Roasting completes.

When the timer sounds, open the Lid and remove the food.

- Be careful not to touch any part of the product besides the Lid Handles, as they may become very hot.
- Keep your face away from the product when opening the Lid during or immediately after cooking. Hot steam or smoke may arise and cause scalding.



7 After use

Unplug the Power Plug from the electrical outlet.

- Clean the Lid, Water Tray, Rack and other parts after every use. (See pg.11)

If you store them without cleaning them, uneven roasting may result. In addition, the lining of the Lid and the coating of the Water Tray may peel off or corrode and the Heaters may be damaged, which may cause smoke or fire.

Suggested Roasting Times

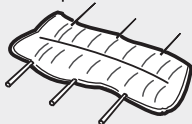
Items	Approx. thickness		Approx. weight of each piece		Approx. cooking time (minutes)
	(inch)	(mm)	(oz.)	(g)	
Pacific Saury (Sanma) (2 pcs.)	—	—	5	140	9~10
Pacific Saury (Sanma) (4 pcs.)	—	—	5	140	13~15
Open Dried Horse Mackerels (2 pcs.)	—	—	5	140	8~10
Salmon Steaks (2 pcs.)	1	25	10	280	10~12
Tilapia (2 pcs.)	3/4	19	5	140	8~10
Tilapia wrapped in foil (2 pcs.)	3/4	19	5	140	13~15
Steaks (2 pcs.)	1	25	14	390	12~14
Chops (2 pcs.)	3/4	19	7	190	12~14
Hot Dogs (chilled) (8 pcs.)	3/4	19	2	50	5~6
Sausage (chilled) (5 pcs.)	1	25	4	110	10~12
Chicken (skinless breast) (1 pc.)	1	25	10	280	16~18
Chicken (boneless & skinless thigh) (1 pc.)	3/4	19	4	110	13~15

- Cooking times may vary depending on food quantity, size and room temperature. Adjustments of cooking times by 2 to 3 minutes may need to be made for better results.
- When cooking several items consecutively, reduce the cooking time slightly. However, do not cook continuously if the food is rich in oil or fat.
- Be careful not to allow food to get too close to the Upper Heater as it may become burnt.

Roasting Tips

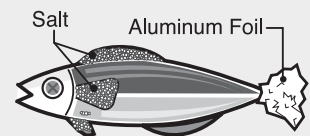
How to prevent foods from curling while roasting:

- Use skewers to hold the food in place
- Use a knife to make cuts on the surface



How to prevent burning and preserve thin or small parts:

- Salt fish tails and fins or cover with aluminum foil
- Cuts made on the surface of the food give a better appearance after cooking



- When roasting fish, coating the Rack lightly with vegetable oil after preheating will minimize the sticking of the fish to the Rack.
- Keep the thickness of meat to less than 1 inch (2.5 cm) and the fish to less than 1-3/8 inches (3.5 cm) for better results.

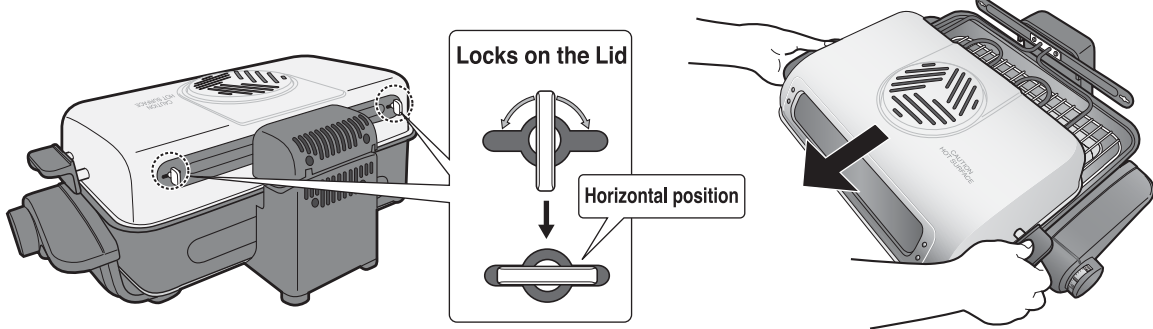
HOW TO DISASSEMBLE

Always unplug the product from the electrical outlet and allow it to cool completely before disassembling.

- Do not try to forcibly attach or detach the Lid or Water Tray. (Doing so may damage the product.)
- Always remove the Lid before removing the Water Tray. (Removing the Water Tray before removing the Lid may cause the product or the Lid to fall backward, causing injury to persons or damaging the product.)
- Be careful not to spill the water from the Water Tray when removing it.
- To put everything back together, perform these instructions in reverse.

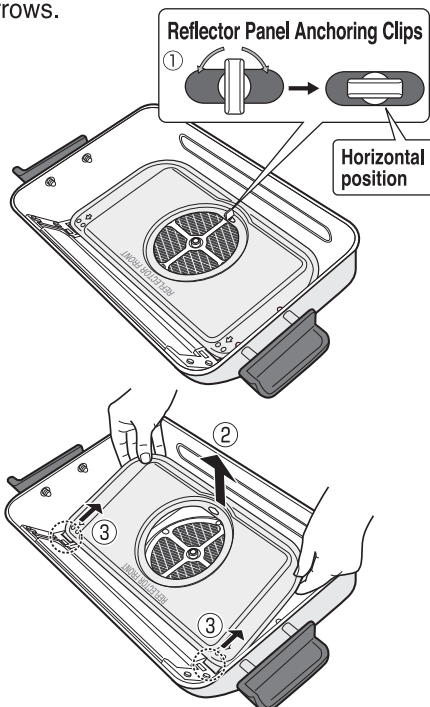
1. Remove the Lid.

With the Lid closed, turn the Locks on the Lid (2 locations) until they are in the horizontal position, and then use the Lid Handle to pull the Lid horizontally away from the Main Body.



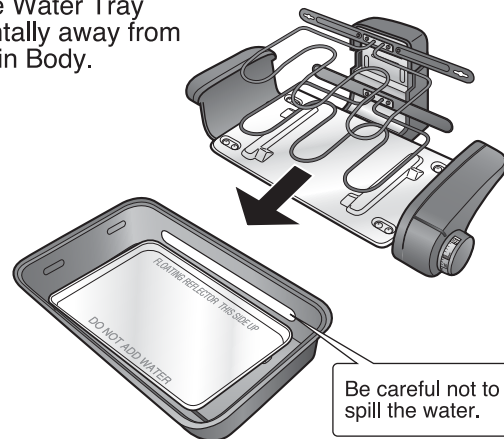
2. Remove the Reflector Panel.

- ① Turn the Reflector Panel Anchoring Clips to the horizontal position.
- ② Lift up the Reflector Panel and remove it from the Reflector Panel Anchoring Clips.
- ③ Remove in the direction shown by the arrows.



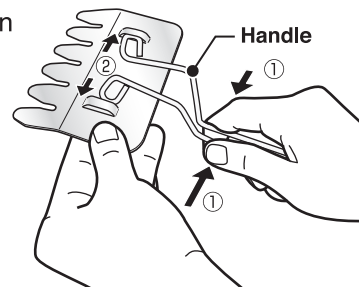
3. Remove the Water Tray.

Pull the Water Tray horizontally away from the Main Body.



How to Assemble the Food Server

- ① Squeeze the handle in on both sides.
 - ② Insert the tips of the handles.
- To remove, squeeze the sides of the handle and remove the tips of the handle.



CLEANING AND MAINTENANCE

Always unplug the product from the electrical outlet and allow it to cool completely before cleaning.

- Clean after every use. Otherwise, it may cause foods to cook unevenly, damage the Heaters, or cause smoke or fire.
- In addition, the odor may transfer when cooking something different the next time. Be careful to always clean the product after each use.
- Do not use the following:
 - Detergents other than mild kitchen detergent, thinner, benzene and bleach. Doing so may cause discoloration, crack, degradation and corrosion.
 - Polishing powder, nylon brushes, scrub brushes, anything made with metal, eraser pads, hard nylon sponges and abrasive cleaners. Doing so may cause corrosion.
- When using chemically treated cloths, do not rub too hard or leave them on the product for a long time as the surface of the product may become damaged from chemical reactions.
- Do not use a dishwasher or a dish-dryer. Doing so may cause discoloration.

Reflector Panel, Floating Reflector, Rack, Water Tray, Food Server	<ol style="list-style-type: none"> ① Wash with a soft sponge with mild kitchen detergent. ② Rinse in water. ③ Wipe with a soft dry cloth. 	
Lid (including Catalytic Filter)	<ol style="list-style-type: none"> ① Wash with a soft sponge with mild kitchen detergent. <ul style="list-style-type: none"> ● Do not wash the Catalytic Filter with detergent. ② Rinse in water. ③ Shake the Lid gently and remove all of the water. ④ Wipe with a soft dry cloth except the Catalytic Filter. ⑤ Attach the Lid, Reflector Panel, Water Tray, Floating Reflector and Rack to the Main Body, heat while empty for approx. 20 min., and allow to cool naturally. (When heating while empty, steam will be emitted from the Exhaust Duct.) 	<ul style="list-style-type: none"> ● Do not scrub the Catalytic Filter strongly with a sponge. (Parts of the sponge may become stuck to the filter and reduce its performance.)
Main Body, Heaters	<ol style="list-style-type: none"> ① Soak a soft cloth in mild detergent, wring out all excess moisture, and wipe clean. ② Wipe again with a well-wrung cloth (with no detergent). ③ Wipe off any residue with a soft dry cloth. 	<ul style="list-style-type: none"> ● Do not wash the Main Body or Heaters or submerge them in water.
Cord	Wipe clean with a soft dry cloth.	

Replacing Parts

- Replacement parts may be available for an additional charge. Please replace damaged parts only with new parts.

Zojirushi Customer Service

1-800-733-6270

www.zojirushi.com

TROUBLESHOOTING GUIDE

Please check the following points before calling for service.

Condition	Cause	Remedy
Food does not cook. (The Heaters do not heat up.)	● The Power Plug is not plugged in to the electrical outlet securely.	Plug in securely.
	● The Timer Knob is not set correctly.	Set the Timer Knob correctly. (See pg. 8)
	● The water in the Water Tray has evaporated. (The protective device has been activated.)	Add water to the Water Tray. (See pg. 7)
Smoke arises or it smells.	● The inside of the product is dirty.	Be sure to clean after every use.
	● You may see light smoke the first time you use the product. This is normal. The smoke is harmless and will soon disappear.	
	<ul style="list-style-type: none"> ● There may be more smoke when cooking foods that have a lot of fat. ● If fluids or other materials are stuck to the Catalytic Filter, smoke may be emitted as heat is applied. 	
There is a flash of fire or smoke inside the product or arising from the Exhaust Duct.	● While cooking, if fat drips on the Lower Heater, flames may appear momentarily and smoke may be emitted. In addition, when cooking foods that have a lot of fat, the gas released by the fats may burn, but neither of these are malfunctions.	
Smoke arises from the Exhaust Duct or around the Lid during operation.	● If fat is left on the Heaters from the last time the product was used, the fat will burn and smoke will emit for a while after the Heaters heat up. Be sure to clean the product after every use.	

안전상의 주의



반드시 지켜 주십시오

사용자 또는 주위 사람에 대한 위험, 재산피해를 미연에 방지하기 위하여 반드시 지켜주셔야 할 사항을 설명하고 있습니다.



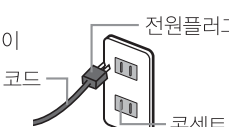
■ 잘못 사용하였을 경우 발생할 수 있는 위험과 손해 정도를 다음 구분으로 설명합니다.

 경고 사망이나 중상을 초래할 우려가 있는 내용입니다.	 주의 경상 또는 가옥, 가재 등에 손해를 초래할 우려가 있는 내용입니다.
--	---

■ 꼭 지켜주셔야 할 내용을 다음 구분으로 설명합니다.





 해서는 안 되는 '금지' 내용입니다.	 실행하여야 하는 '지시' 내용입니다.
--	--

경고

 개조하지 마십시오. 또한 기술자 이외의 사람은 절대로 분해하거나 수리하지 마십시오. 화재·감전·부상의 원인이 됩니다. 수리는 조지루시 고객센터로 상담해 주시기 바랍니다.	 전원플러그의 날끝 또는 부착면에 먼지·이물질이 묻었으면 닦아 주십시오. 화재의 원인이 됩니다.
 물을 묻히거나 물에 닿지 않도록 하십시오. 쇼트·감전의 원인이 됩니다.	정격15A 이상의 콘센트에 단독으로 사용하십시오. 다른 전기기구와 같이 분기식 콘센트를 사용하면 이상 발열되어 발화의 원인이 됩니다.
 젖은 손으로 전원플러그를 잡고 빼거나 꽂지 마십시오. 감전되거나 다칠 수 있습니다.	전원플러그는 콘센트의 끝까지 확실히 꽂으십시오. 감전·쇼트·발연·발화의 원인이 됩니다.
 교류 120V 이외에는 사용하지 마십시오. 화재·감전의 원인이 됩니다. 어린이 혼자 사용하게 하거나 유아의 손이 닿는 곳에서 사용하지 마십시오. 화재·감전·부상을 입을 우려가 있습니다. 타기 쉬운 물건의 옆에 두거나 열에 약한 물건이나 커튼 등 가연성 물체 가까이서 사용하지 마십시오. 화재의 원인이 됩니다. 코드와 전원플러그가 손상되거나, 콘센트부가 느슨하여 흔들거릴 때는 사용하지 마십시오. 감전·쇼트·발화의 원인이 됩니다.  코드를 손상시키지 마십시오. 무리하게 꺾거나 당기거나 비틀거나 고온부에 두거나 무거운 것에 눌리거나 좁은 틈에 끼우거나 가공하거나 하면 코드가 파손되어 화재·감전의 원인이 됩니다.	이상·고장 시에는 사용을 중지하십시오. 발연·발화·감전·화상을 입을 우려가 있습니다. <이상·고장 예> ● 코드나 전원플러그가 상당히 뜨겁다 ● 코드에 손상이나 변형이 있다 ● 탄 냄새가 난다 ● 제품의 일부가 갈라졌거나 느슨함이나 흔들림이 있다 ● 코드를 만졌을 때 전류가 잘 흐르지 않는다 ● 찌르르하고 전기가 느껴진다 ● 타이머손잡이를 돌려도 가열이 되지 않는다 ● 본체에서 물이 샌다 등 이와 같은 경우에는 바로 전원플러그를 빼고 조지루시 고객센터에 반드시 점검·수리를 의뢰해 주시기 바랍니다. 이 상품의 사용은 안전에 대한 책임자의 지도관리 및 지시가 없는 이상 운동 능력, 감각 능력 또는 지적 능력의 저하와 경험 및 지식 이 부족한 사람(아이 포함)의 사용은 금하고 있습니다. 어린이가 본 제품을 가지고 장난치지 않도록 확실한 지도관리를 해 주십시오.

● 구입하신 상품과 이 사용설명서에 기재된 설명은 차이가 있을 수 있습니다.

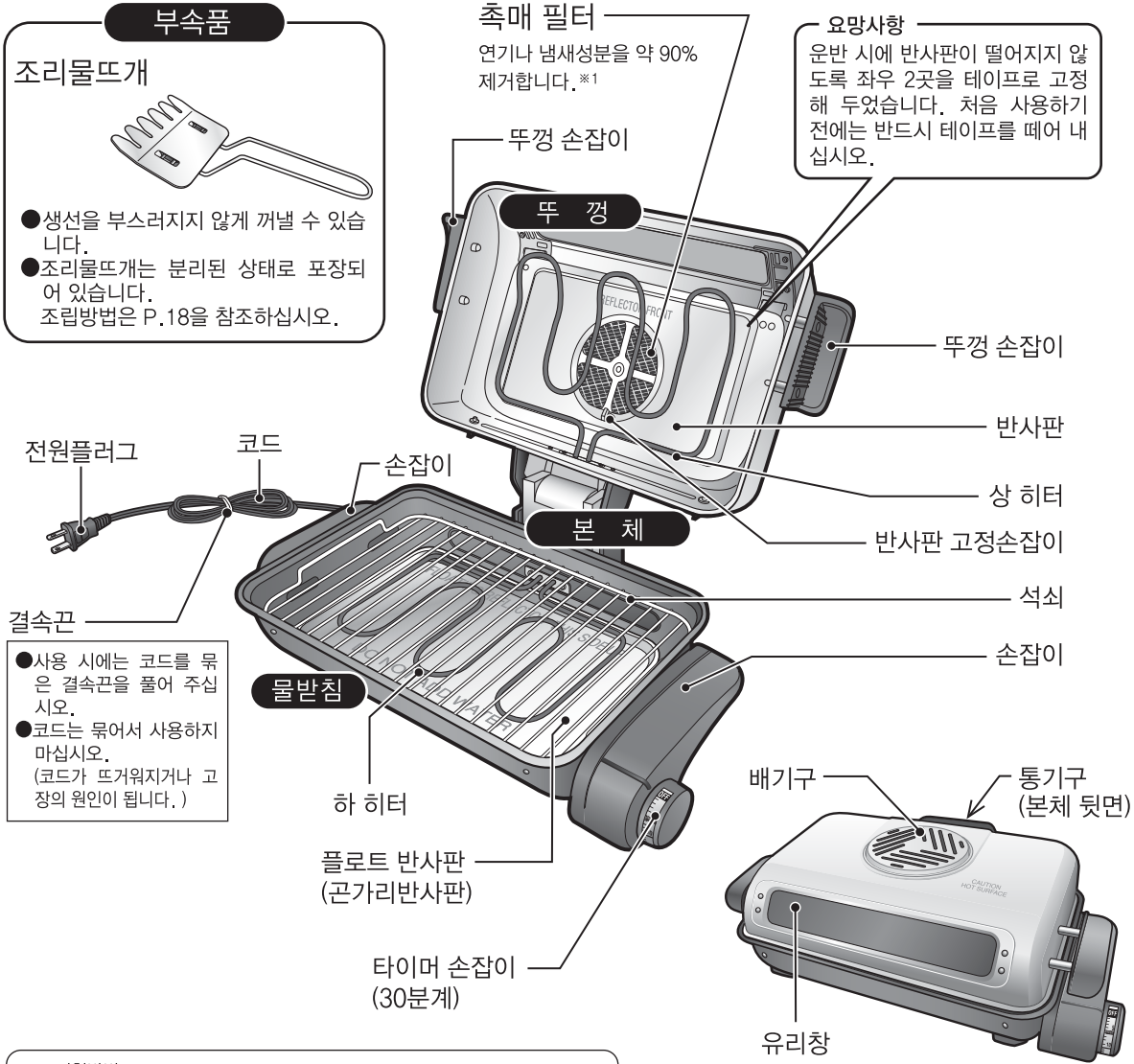
⚠ 주의

<p> 사용 중이나 사용 후 얼마간은 고온부에 손을 대지 마십시오. 화상의 원인이 됩니다.</p> <p> 불안정한 장소나 열에 약한 깔개 위에서는 사용하지 마십시오. 화재의 원인이 됩니다.</p> <p>필요 이상으로 가열하지 마십시오. 과열로 발화될 수 있습니다.</p> <p>사용 중에는 본체를 떠나지 마십시오. 조리물이 발화될 수 있습니다.</p> <p>본체 위에 물건을 올려놓거나 본체 아래의 틈에 물건을 집어넣어 사용하지 마십시오. 본체나 물건이 변형되거나 변질되고, 화재의 원인이 됩니다.</p> <p>벽이나 가구 가까이에서는 사용하지 마십시오. 열로 벽이나 가구를 손상시키거나 변색, 변형의 원인이 됩니다. (→P.14 '설치장소에 대하여' 참조)</p> <p>조리 이외의 목적으로 사용하지 마십시오.</p> <p> 사용시 외에는 전원플러그를 콘센트에서 빼 주십시오. 다치거나 화상 또는 절연열화에 의한 감전·누전 또는 화재의 원인이 됩니다.</p>	<p> 예열·조리 중에는 연기나 냄새에 민감한 작은 새나 작은 동물 등은 다른 방으로 옮겨 놓고, 창문을 열거나 환기팬을 돌리십시오.</p> <p>전원플러그를 뽑 때는 코드선을 잡지 말고 반드시 선단의 플러그를 잡고 빼십시오. 감전·쇼트·발화의 원인이 됩니다.</p> <p>손질은 식은 후에 하십시오. 고온부에 닿으면 화상의 위험이 있습니다.</p> <p>사용 후에는 반드시 깨끗이 손질을 하십시오. 음식 부스러기나 기름이 남은 상태에서 조리하면 발연이나 발화의 우려가 있습니다.</p> <p>반드시 물받침을 장착하십시오. 발화의 원인이 됩니다.</p> <p>조리물이 발연이나 발화된 경우에는 바로 타이머를 끄고 전원 플러그를 빼십시오. 화재의 원인이 됩니다. 만일 불이 난 경우에는 불이 꺼질 때까지 뚜껑을 열지 마십시오. 공기가 들어가 불이 커집니다. 또한 뚜껑 유리가 깨지니 물을 뿌리지 마십시오.</p> <p>코드·전원 플러그가 파손된 경우에는 위험이 발생하지 않도록 제조자 또는 대리점에서 교환할 것.</p>
--	---

요망사항

<ul style="list-style-type: none"> ■ 업무용으로 사용하지 마십시오. ■ 조리 중이나 조리 후 뚜껑을 열 때에는 얼굴을 가까이 대지 마십시오. 뜨거운 증기와 연기로 인해 화상을 입을 수 있습니다. ■ 연속해서 구울 때는 물을 보충합니다. 또 기름기가 많은 조리물은 연속해서 굽지 마십시오. 화재의 원인이 됩니다. ■ 사용 중에는 유리창에 물을 끼얹지 마십시오. 파손의 원인이 될 수 있습니다. ■ 사용 후(빈 기기 가열 포함)에는 갑자기 냉각시키지 말고 자연 냉각시키십시오. 파손의 원인이 될 수 있습니다. ■ 뚜껑이나 물받침은 조심스럽게 다루십시오. 파손의 원인이 될 수 있습니다. ■ 제품을 기울이지 마십시오. 물이 흘러나와 바닥을 적시는 원인, 고장의 원인이 될 수 있습니다. ■ 히터 위에 직접 조리물을 굽지 마십시오. 발화의 원인이 됩니다. ■ 물받침에는 반드시 물을 넣어 사용하십시오. 화재의 원인이 됩니다. ■ 배기구와 통기구를 막지 마십시오. 고장의 원인이 됩니다. 	<ul style="list-style-type: none"> ■ 쿠킹 페이퍼나 그릴용 돌 등은 사용하지 마십시오. 발연, 발화, 화상의 원인이 될 수 있습니다. ■ 떡이나 오징어 등 부풀거나 구부러지거나 해서 히터에 달라붙는 것은 굽지 마십시오. 발화의 원인이 됩니다. ■ 뚜껑은 확실하게 닫으십시오. 화재의 원인이 됩니다. ■ 비닐 등 열에 약한 테이블 커버 위나 다다미, 카펫 등의 위에서는 사용하지 마십시오. 화재의 원인이 됩니다. ■ 뚜껑 손잡이를 잡고 운반하지 마십시오. 뚜껑이나 본체가 떨어져 부상이나 파손의 원인이 될 수 있습니다. ■ 본 제품은 일반가정에서의 사용 및 아래와 유사한 용도로 사용하지 마십시오. <ul style="list-style-type: none"> ● 상점이나 사무실 또는 그 외 작업환경에 있는 직원(종업원)용 키친에서 사용하십시오. ※ 단, 불특정 다수에 의한 장시간의 사용 용도로서는 사용하지 마십시오. ● 호텔, 모텔 및 그 외 숙박시설 등. ■ 본 제품은 외부 타이머나 리모컨 시스템에 의한 사용으로는 작동하지 않는다.
---	---

각부의 명칭



부속품

조리물뜨개

- 생선을 부스러지지 않게 꺼낼 수 있습니다.
- 조리물뜨개는 분리된 상태로 포장되어 있습니다. 조립방법은 P.18을 참조하십시오.

전원플러그

코드

손잡이

결속끈

- 사용 시에는 코드를 묶은 결속끈을 풀어 주십시오.
- 코드는 묶어서 사용하지 마십시오. (코드가 뜨거워지거나 고장의 원인이 됩니다.)

요망사항

운반 시에 반사판이 떨어지지 않도록 좌우 2곳을 테이프로 고정해 두었습니다. 처음 사용하기 전에는 반드시 테이프를 떼어 내십시오.

※1 시험방법

①연기 제거율
NBS발연성시험장치(미국공업규격 ASTM-E662에 준거)를 통해 연기농도를 측정하여, 연기 제거율을 산출(당사 조사)

②냄새성분 제거율
가스 크로마토그래피를 이용하여 프로피온알데히드 농도※2를 측정하여 제거율※3을 산출(당사 조사)

※2 프로피온알데히드: 풍치를 구웠을 때 발생하는 냄새성분

※3 냄새의 원인이 되는 성분(프로피온알데히드)량을 측정된 것으로 실제 냄새를 맡고 비교한 것은 아닙니다.

플로트 반사판(곤가리반사판)이란?

플로트 반사판은 물받침의 물속에 떠 있는 상태에서 사용합니다. 하 히터에서 물받침 안에 있는 물에 전해지는 열이 이 반사판이 반사시켜서 물의 증발량을 조절하고 생선을 노릇노릇하게 굽습니다.

설치장소에 대하여

- 목재 벽·가구 등 주위의 가연성 물체로부터 오른쪽 그림과 같이 거리를 유지하여 사용하십시오. 그리고 앞쪽은 개방하십시오.
- 비닐 크로스나 수지제와 같이 열에 약한 벽·가구 등의 경우에는 상기의 목재보다 더 거리를 두십시오. (변형·변색의 원인이 됩니다.)

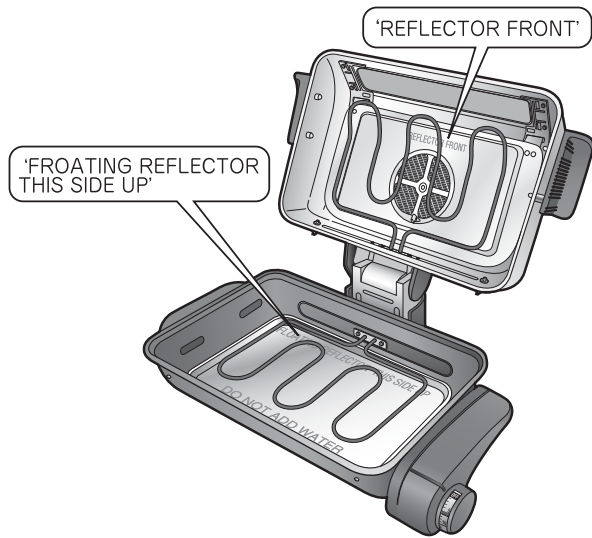
윗쪽으로 12 inch(30cm) 이상
옆쪽으로 4 inch (10cm) 이상
뒷쪽으로 8 inch (20cm) 이상
옆쪽으로 4 inch (10cm) 이상

사용방법

사용하시기 전에

- 조리 이외의 용도로는 사용하지 마십시오.
- 처음 사용하시기 전에 제품 내의 포장재를 제거하십시오.
- 처음 사용하실 때 배기구에서 연기가 나는 경우가 있으나, 이상은 아닙니다.
- 뚜껑·반사판·물받침·플로트 반사판이 확실하게 장착되어 있는지 확인하십시오.
- 물받침의 장착과 분리는 반드시 뚜껑을 분리한 다음에 하십시오. 뚜껑을 연 상태에서 물받침을 분리하면 본체와 뚜껑이 뒤로 넘어가는 경우가 있으므로 위험합니다.(P.18 '부품 탈착 방법' 참조)

- 반사판·플로트 반사판을 장착할 때는 'REFLECTOR FRONT' 'FROATING REFLECTOR THIS SIDE UP'의 각인이 표면이 되도록 장착하십시오.



1 콘센트에 전원 플러그를 꽂는다

타이머가 'OFF'로 되어 있는지 확인하십시오.

2 물을 넣는다

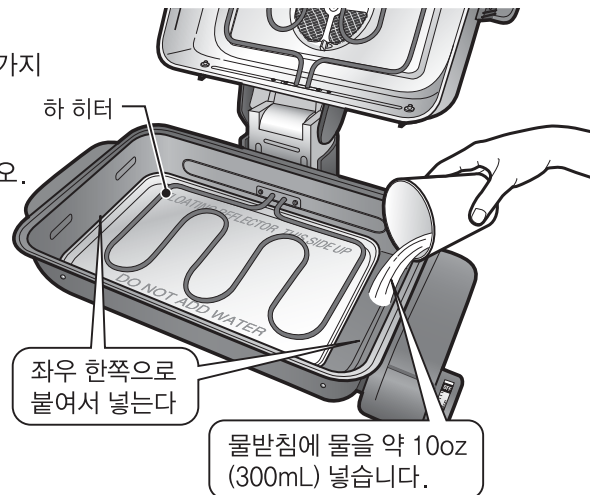
물받침에 물을 약 10oz(300mL) 넣습니다.

- 반드시 물받침에 물을 넣은 다음에 사용하십시오.

과열로 인해 뚜껑 뒷쪽과 물받침의 도장이 벗겨지거나 부식되어 고장의 원인이 됩니다.

- 물이 없는 상태에서 사용하지 마십시오.
- 하 히터에 물이 묻지 않도록 조심해서 넣으십시오.
- 물받침에 물을 넣을 때는 플로트 반사판에 물이 들어가지 않도록 좌우 한쪽으로 붙여서 물을 넣으십시오.
- 물을 너무 많이 넣지 마십시오.
- 조리 중에 물받침의 물이 줄어들면 물을 더 넣으십시오.

- 다음과 같은 경우에는 보호장치가 작동되어 히터에 전기가 통하지 않게 됩니다.
 - 물받침에 물을 넣지 않았다
 - 물받침에 물이 다 말랐다
 본체를 식히고(약 20분) 물을 넣은 후에 사용하십시오.



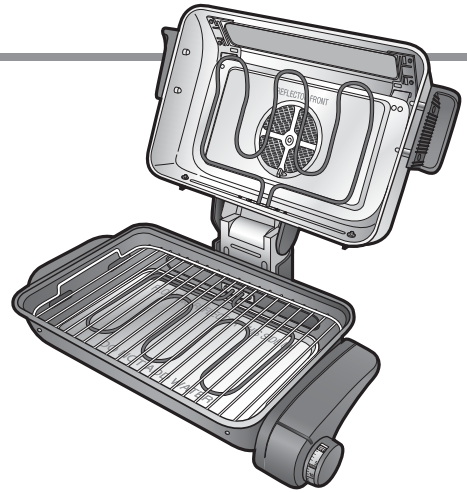
사용방법 계속

3 석쇠를 올린다

조리물 두께에 따라 석쇠의 방향을 바꾸어 높이를 조절한다.

두꺼운 생선의 경우(윗면: 표준)

얇은 생선의 경우(아랫면)

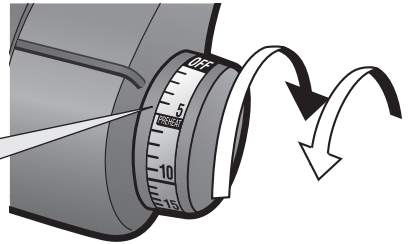


4 예열한다(약 5분간)

뚜껑을 닫고 타이머의 눈금을 '5 PREHEAT'에 맞춥니다.

- '칭' 소리가 나면서 예열이 완료됩니다.

타이머를 'PREHEAT' 및 '10' 이하로 설정할 때는 타이머 손잡이를 일단 '11' 이상으로 돌려 원하는 눈금에 맞추십시오.



5 조리물을 굽는다

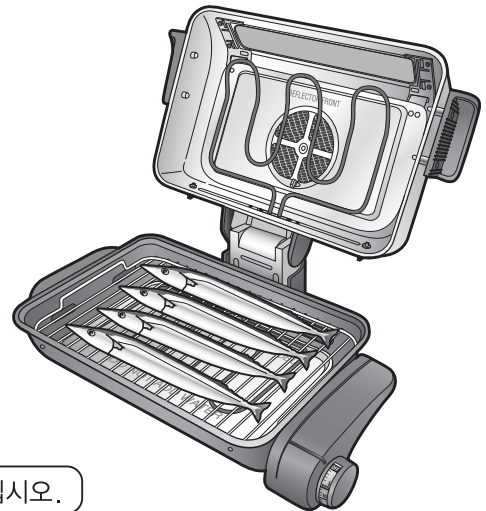
①뚜껑을 열고 조리물을 석쇠 위에 얹어 놓습니다.

- 두께가 있는 생선 등은 석쇠의 앞쪽에 놓지 말고 안쪽으로 놓으십시오. 앞쪽에 놓으면 상 히터에 닿을 우려가 있습니다.

②뚜껑을 닫고 타이머의 눈금을 조리물에 맞게 설정합니다.(가열 개시)

- P.17 '조리시간의 기준치' 를 참조하십시오.

- 유리창을 통해 구워진 상태를 확인하십시오.
- 조리 중에 물받침의 물이 줄어들면, 물을 보충하십시오. 물이 하 히터에 닿지 않도록 물받침과 플로트 반사판의 사이로 조심해서 넣으십시오.
- 조리 중에 뚜껑을 열 때는 히터 및 금속부가 뜨거우므로 손이 닿지 않도록 조심하십시오.(화상의 우려)
- 조리 중에 물이 줄어들면 손잡이가 뜨거워질 수 있습니다.
- 필요 이상으로 가열하지 마십시오.

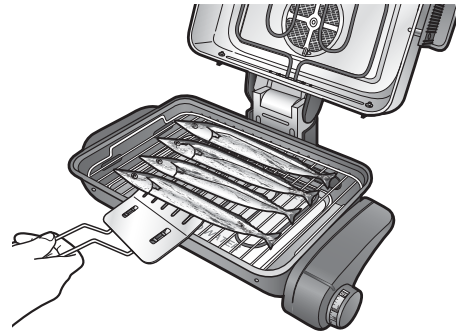


도중에 조리를 중단할 때는... 타이머 눈금을 'OFF'에 맞추십시오.

6 조리 완료

‘칭’ 하는 소리가 나면 뚜껑을 열고 조리물을 꺼냅니다.

- 제품이 뜨거운 상태이므로 뚜껑손잡이 이외에는 손이 닿지 않도록 주의해 주십시오.
- 조리 중이나 조리 종료 후 뚜껑을 열 때에는 안에서 뜨거운 증기나 연기가 나오므로 얼굴을 가까이 대지 마십시오.(화상의 우려)



7 사용 후

전원 플러그를 콘센트에서 뺏다.

- 뚜껑 · 물받침 · 석쇠 등은 사용한 후 반드시 손질해 주십시오.(→P.19)

더러워진 부분을 그대로 방치하면 골고루 구워지지 않거나 뚜껑 안쪽과 물받침의 도장이 벗겨지거나 부식, 히터 손상이나 발연, 발화의 원인이 됩니다.

조리시간의 기준치

조리물	수량	두께		1개당 무게		조리시간(분)
		(약 inch)	(약 mm)	(약 oz)	(약 g)	
꽂치소금구이	2마리	—	—	5	140	9~10
	4마리	—	—	5	140	13~15
갈라서 말린 전갱이	2마리	—	—	5	140	8~10
연어스테이크	2토막	1	25	10	280	10~12
틸라피아	2토막	3/4	19	5	140	8~10
틸라피아 은박지구이	2개	3/4	19	5	140	13~15
스테이크	2장	1	25	14	390	12~14
츄프	2개	3/4	19	7	190	12~14
핫도그(냉장)	8개	3/4	19	2	50	5~6
소시지(냉장)	5개	1	25	4	110	10~12
치킨(가슴살, 껍질 없음)	1장	1	25	10	280	16~18
치킨(다리살, 뼈 없음, 껍질 없음)	1장	3/4	19	4	110	13~15

- 조리시간은 조리물의 양과 크기, 온도, 실온 등에 따라 다릅니다. 구워지는 정도를 확인하면서 시간을 조절(2~3분)하십시오.
- 연속해서 조리물을 구울 때는 조리시간을 짧게 설정하십시오. 단, 기름이 많은 조리물은 연속해서 굽지 마십시오.
- 조리물이 상 히터에 가까우면 쉽게 타게 되니 주의하십시오.

■ 구우면 휘어지는 조리물은

- 꼬챙이를 끼운다. ● 칼집을 넣는다.

■ 타거나 형태가 부서지지 않도록 하기 위해서

- 꼬리와 지느러미에 소금을 뿌리거나 은박지로 감싼다.
- 겉이 될 면에 칼집을 넣는다.

- 생선을 구울 때는 예열 후, 석쇠에 식용유를 바르면 석쇠에 달라붙지 않습니다.
- 두꺼운 조리물은 고기의 경우 두께를 1 inch(2.5cm) 이하로 기타 조리물의 경우는 두께를 1~3/8 inch(3.5cm) 이하로 손질한 후에 구워 주십시오.

조리요령

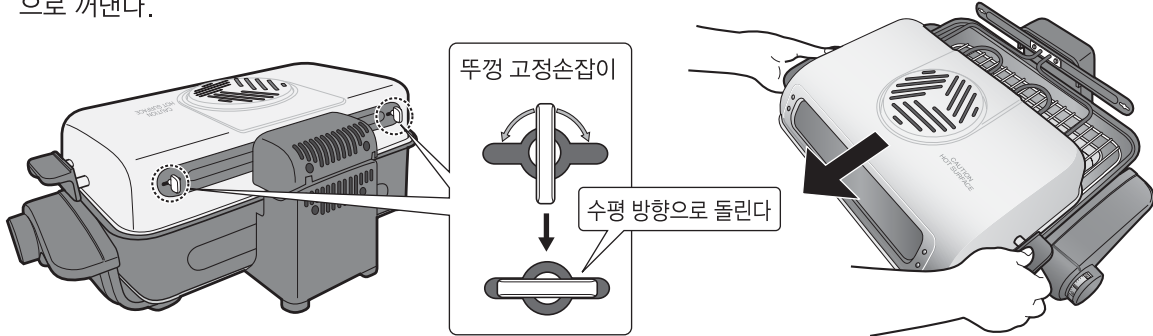
부품 탈착 방법

손질은 전원 플러그를 콘센트에서 빼고 제품이 완전히 식은 후에 하십시오.

- 뚜껑 · 물받침은 무리하게 장착하거나 분리하지 마십시오.(고장의 원인이 됩니다.)
- 물받침은 반드시 뚜껑을 분리한 후에 분리하십시오.
(뚜껑을 분리하기 전에 물받침을 분리하면 본체와 뚜껑이 뒤로 넘어가서 위험합니다.)
- 물받침을 분리할 때는 물이 물받침에서 엇질러지지 않게 주의하십시오.
- 장착할 때는 분리방법과 반대 순서로 하십시오.

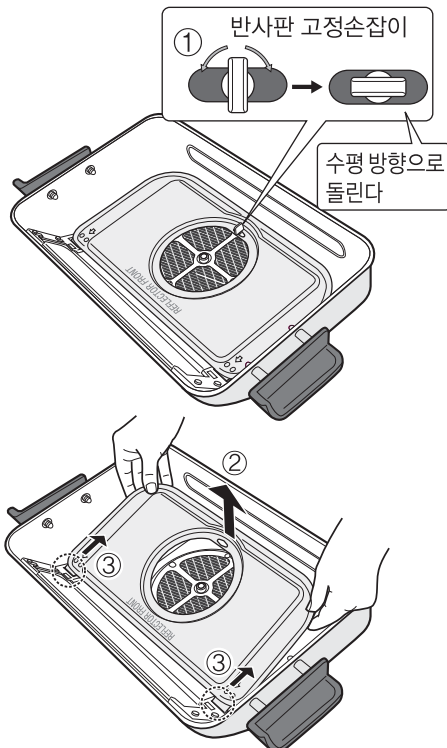
1. 뚜껑을 분리한다

뚜껑을 닫은 상태에서 뚜껑 고정손잡이(2곳)를 수평 방향으로 한 다음 뚜껑 손잡이를 잡아 본체에서 수평으로 꺼낸다.



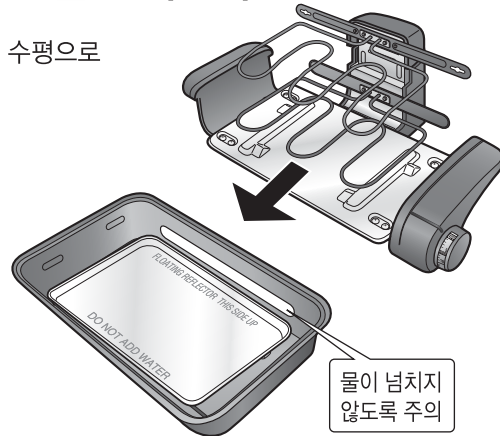
2. 반사판을 분리한다

- ① 반사판 고정손잡이를 수평 방향으로 한다
- ② 반사판을 들어올려 반사판 고정손잡이에서 빼낸다
- ③ 화살표 방향으로 빼낸다



3. 물받침을 분리한다

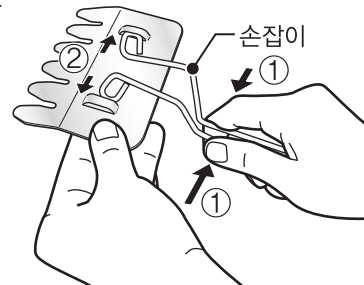
본체에서 수평으로 꺼낸다



조리물뜨개 조립 방법

- ① 손잡이를 안쪽으로 누른다
- ② 손잡이 끝부분을 끼운다

- 분리할 때는 손잡이를 안쪽으로 누르면서 손잡이 끝부분을 분리하십시오.



손질방법

손질은 전원 플러그를 콘센트에서 빼고 제품이 완전히 식은 후에 하십시오.

- 사용 후에는 반드시 손질을 하십시오. 더러워진 부분을 그대로 방치하면 골고루 구워지지 않거나 히터 손상, 발연, 발화의 원인이 됩니다.
- 다른 종류의 조리물을 구울 때에는 냄새가 배는 경우가 있으므로 깨끗이 손질해 주십시오.
- 다음과 같은 것은 사용하지 마십시오.
 - 주방용 중성세제 이외의 세제 · 시너 · 벤진 · 표백제 등(변색 · 깨짐 · 열화 · 부식의 원인)
 - 광택분 · 나일론 수세미 · 브러시 · 금속제 제품 · 멜라민스펀지 · 스펀지의 나일론면, 연마제 함유 세제 등(표면을 손상시키는 원인이 됩니다)
- 화학 걸레를 사용할 경우에는 세게 닦거나 장시간 접촉시키지 마십시오. (표면이 손상되거나 화학변화를 일으키는 원인이 됩니다)
- 식기세척건조기나 식기건조기는 사용하지 마십시오. (변색의 원인)

반사판 플로트 반사판 석쇠 물받침 조리물뜨개	①주방용 중성세제를 묻힌 스펀지로 씻는다 ②물로 씻는다 ③마른 부드러운 천으로 닦는다
뚜껑 (촉매 필터 포함)	①주방용 중성세제를 묻힌 스펀지로 씻는다 ●촉매 필터는 씻지 마십시오. ②물로 씻는다 ③뚜껑을 가볍게 흔들어 물기를 깨끗이 닦아낸다 ④촉매 필터 이외의 부분을 마른 부드러운 천으로 닦는다 ⑤뚜껑 · 반사판 · 물받침 · 플로트 반사판 · 석쇠를 본체에 끼우고 약 20분 빈 기기를 가열한 다음, 자연 냉각한다(빈 기기에서 가열할 경우에는 배기구에서 증기가 나옵니다.) ●촉매 필터는 스펀지 등으로 세게 밀지 마십시오. (스펀지 조각 등이 부착될 수 있습니다.)
본체 히터부	①주방용 중성세제를 묻힌 부드러운 천으로 더러워진 부분을 닦아낸다 ②물에 씻어 짠 천으로 깨끗이 닦는다 ③마른 부드러운 천으로 물기를 닦아낸다 ●본체, 히터부분을 통째로 물로 씻지 마십시오.
코드	마른 부드러운 천으로 닦는다

교환 부품

- 부품이 손상된 경우에는 새로운 것으로 교환(유상)하십시오.

조지루시 고객센터
 1-800-733-6270
 www.zojirushi.com

고장인가 생각되면

수리를 의뢰하시기 전에
먼저 확인하시기 바랍니다.

증상	원인	대처방법
조리물이 구워지지 않는다 (히터가 발열하지 않는다)	● 전원플러그가 콘센트에 확실하게 꽂혀 있습니까?	전원플러그를 확실하게 꽂으십시오.
	● 타이머가 올바르게 설정되어 있습니까?	타이머를 올바르게 설정하십시오.(P.16 참조)
	● 물받침의 물이 없어지지 않았습니까? (보호장치가 작동되었다)	물받침에 물을 보충하십시오. (P.15 참조)
연기가 나거나 냄새가 난다	● 기기 안이 더러워지지 않았습니까?	사용하신 후에는 반드시 깨끗이 손질하십시오.
	● 처음 사용하실 때 연기가 나거나 냄새가 날 수 있지만, 이상은 아닙니다. 사용하시다 보면 없어집니다.	
	● 지방질이 많은 조리물을 구우면 연기가 발생하기 쉽습니다. ● 촉매 필터에 부착된 수분 등이 가열되면서 연기가 발생할 수 있습니다.	
조리 중에 기기 안에서 순간적으로 불꽃이 일거나 배기구에서 연기가 나온다	● 조리물의 지방질이 하부 히터의 위로 직접 떨어지면 순간적으로 불꽃이나 연기가 발생합니다. 또 지방질이 많은 것을 구우면 지방질에서 발생하는 가스가 연소될 수 있지만, 고장은 아닙니다.	
조리 중(예열 중)에 배기구나 뚜껑 주위에서 연기가 나온다	● 이전 조리 때 히터에 붙은 지방질이 남아 있으면 전원을 넣은 후 잠시 동안은 지방질이 연소되어 연기가 발생할 수 있습니다. 사용하신 후에는 반드시 깨끗이 손질하십시오.	

사양

모 델 명		EF-VPC40
전	원	교류120V 60Hz
소 비 전 력		1300W
코 드 길 이		4' 7" (1.4m)
제 품 크 기	(약 inch)	가로19-1/8×세로11-5/8×높이7-3/4
	(약 cm)	가로48.5×세로29.5×높이19.5
석 쇠 크 기	(약 inch)	가로13-3/4×세로8-1/4
	(약 cm)	가로35×세로21
제 품 중 량		약 11lbs.(4.8kg)

메모 표기용으로 사용해 주십시오.

A large rectangular area with a light gray border and rounded corners, containing 25 horizontal dashed lines for writing.

安全上のご注意

必ずお守りください

お使いになる人や他の人への危害、財産への損害を未然に防止するため、必ずお守りいただくことを説明しています。

■ 誤った使い方をしたときに生じる危険や損害の程度を、次の区分で説明しています。



警告 死亡や重傷に結びつく恐れがある内容です。



注意 軽傷または家屋・家財などの損害に結びつく恐れがある内容です。

■ お守りいただく内容を、次の区分で説明しています。



してはいけない「禁止」内容です。



実行しなければならない「指示」内容です。



警告



改造はしない。また、修理技術者以外の人は分解したり修理をしない
火災・感電・けがの原因になります。
修理は象印カスタマーサービスにご相談ください。



水に浸けたり、水をかけたりしない
ショート・感電の恐れがあります。



ぬれた手で差し込みプラグを抜き差ししない
感電・けがの恐れがあります。



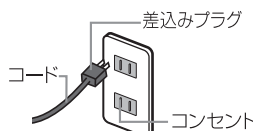
交流120V以外では使用しない
火災・感電の原因になります。

子供だけで使わせたり幼児の手の届くところで使用しない
やけど・感電・けがの恐れがあります。

燃えやすいもののそばに置いたり、熱に弱いものやカーテンなど可燃物の近くで使用しない
火災の原因になります。

コードや差し込みプラグが傷んでいたり、コンセントの差し込みが緩いときは使用しない

感電・ショート・発火の原因になります。



コードを傷つけない

無理に曲げたり、引っ張ったり、ねじったり、束ねたり、高温部に近づけたり、重いものを載せたり、挟み込んだり、加工したりするとコードが破損し、火災・感電の原因になります。



差し込みプラグの刃(プラグの先端)および刃の取付面にほこりが付着している場合は、よくふく 火災の原因になります。

定格15A以上のコンセントを単独で使用する
他の器具と併用すると分岐コンセント部が異常発熱して発火の原因になります。

差し込みプラグはコンセントの奥までしっかり差し込む
感電・ショート・発煙・発火の原因になります。

異常・故障時には、直ちに使用を中止する

そのまま使用すると発煙・発火・感電・けがの原因になります。

<異常・故障例>

- コードや差し込みプラグが異常に熱くなる
- コードに深い傷や変形がある
- 焦げくさいにおいがする
- 製品の一部に割れ・がたつき・緩みがある
- コードを動かすと、通電したりしなかったりする
- ビリビリと電気を感じる
- タイマーつまみを回しても加熱を開始しない
- 本体から水漏れする





など

このような場合は、すぐに差し込みプラグを抜いて、象印カスタマーサービスに必ず点検・修理を依頼する

この機器は、安全に対する責任者によってこの機器の使用に関する指揮管理または指示が与えられない限り、運動能力、感覚能力もしくは知的能力が低下した、または経験および知識が不足した人(子供を含む)による使用を意図していない。子供は、機器で遊ばないことを確実なものとするよう指揮管理を受けることが望ましい

- お買い上げの製品と本書に記載したイラストは異なることがあります。

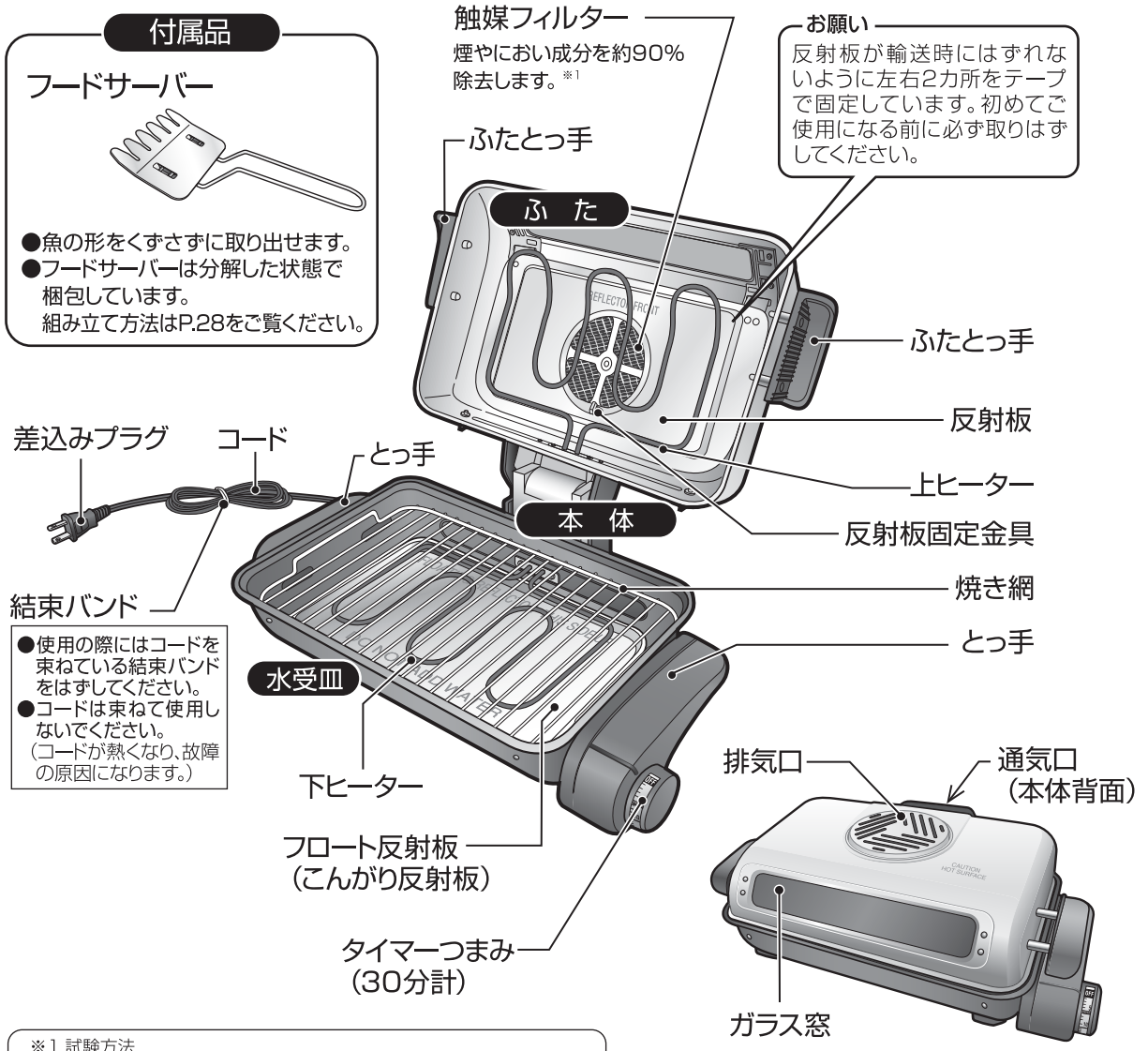
⚠ 注意

 <p>使用中や使用後しばらくは高温部に触れない やけどの恐れがあります。</p>	 <p>予熱・調理中は煙やにおいに敏感な小鳥などの小動物は別の部屋に移し、窓を開けるか換気扇を回す</p>
 <p>不安定な場所や熱に弱い敷物の上では使用しない 火災の原因になります。</p>	<p>差込みプラグを抜くときは、コードを持たずに必ず先端の差込みプラグを持って引き抜く 感電・ショート・発火の原因になります。</p>
<p>必要以上に加熱しない 過熱により発火の原因になります。</p>	<p>お手入れは冷めてから行う 高温部に触れ、やけどの恐れがあります。</p>
<p>使用中は、本体から離れない 調理物が発火する原因になります。</p>	<p>使用後は必ずお手入れをする 調理くずや油分が残ったまま調理すると発煙・発火の原因になります。</p>
<p>本体の上にものを載せたり、本体の下のすき間にものをに入れて使わない 本体やものが変形・変質し、火災の原因になります。</p>	<p>必ず、水受皿を取りつける 発火の原因になります。</p>
<p>壁や家具の近くで使用しない 熱で壁や家具を傷め、変色・変形の原因になります。 (→P.24「設置場所について」参照)</p>	<p>調理物が発煙・発火した場合は、すぐにタイマーを切り、差込みプラグを抜く 火災の原因になります。 万一炎が出た場合は炎が消えるまでふたを開けないでください。空気が入り、炎が大きくなります。また、ふたのガラスが割れますので水をかけないでください。</p>
 <p>調理以外の目的で使用しない</p> <p>使用時以外は、差込みプラグをコンセントから抜く けが・やけど・絶縁劣化による感電・漏電火災の原因になります。</p>	<p>コード・差込みプラグが破損した場合には、危険が生じることのないように、製造者もしくはその代理店に交換を行ってもらうこと</p>

お願い

<ul style="list-style-type: none"> ■業務用として使用しない ■調理中や調理終了後にふたを開けるときは、顔を近づけない 熱い蒸気や煙が出てやけどの恐れがあります。 ■連続して焼くときは水を追加する。また、油分の多い調理物は連続して焼かない 火災の原因になります。 ■使用中はガラス窓に水をかけない 破損の原因になります。 ■使用後(空焼き含む)は、急冷せずに自然冷却する 破損の原因になります。 ■ふた・水受皿の取り扱いはていねいに行う 破損の原因になります。 ■製品を傾けない 水が流れ出て床をぬらしたり、故障の原因になります。 ■ヒーターの上で直接調理物を焼かない 発火の原因になります。 ■水受皿には、必ず水を入れて使用する 火災の原因になります。 ■排気口・通気口をふさがない 故障の原因になります。 	<ul style="list-style-type: none"> ■クッキングペーパーやグリル用の小石などは使用しない 発煙・発火・やけどの原因になります。 ■もち・するめなど、ふくれたり反ったりしてヒーターにくっつくものは焼かない 発火の原因になります。 ■ふたは確実に閉める 火災の原因になります。 ■ビニール製などの熱に弱いテーブルクロスの上や、たたみ・じゅうたんなどの上では使用しない 火災の原因になります。 ■ふたとっ手を持って持ち運ばない ふたや本体が落下するなどしてけが・破損の原因になります。 ■本製品は一般家庭用途および下記の類似用途に使用する <ul style="list-style-type: none"> ●商店、オフィスまたはその他の作業環境に存在するスタッフ(従業員)用キッチンに使用する ※ただし、不特定多数による長時間の使用用途としては使用しない ●ホテル・モーテル・その他宿泊施設等 ■本製品は外部のタイマーやリモートコントローラシステムによる使用を意図していない
---	---

各部のなまえ



付属品

フードサーバー

- 魚の形をくずさずに取り出せます。
- フードサーバーは分解した状態で梱包しています。組み立て方法はP.28をご覧ください。

差込みプラグ **コード** **とっ手**

結束バンド

- 使用の際にはコードを束ねている結束バンドははずしてください。
- コードは束ねて使用しないでください。(コードが熱くなり、故障の原因になります。)

触媒フィルター

煙やにおい成分を約90%除去します。*1

お願い

反射板が輸送時にはずれないように左右2カ所をテープで固定しています。初めてご使用になる前に必ず取りはずしてください。

※1 試験方法

①煙の除去率
NBS発煙性試験装置(アメリカ工業規格ASTM-E662に準拠)により、煙濃度を測定し、煙の除去率を算出(当社調べ)

②におい成分の除去率
ガスクロマトグラフィーにより、プロピオンアルデヒド濃度*2を測定し、除去率*3を算出(当社調べ)

※2 プロピオンアルデヒド:さんまを焼いたときに発生するにおい成分

※3 においのもととなる成分(プロピオンアルデヒド)量を測定したものであり、実際のにおいの感じ方を比較したものではありません。

フロート反射板(こんがり反射板)とは?

フロート反射板は水受皿の水に浮かせた状態で使用します。下ヒーターから水受皿の水に当たる熱をフロート反射板で反射させ、水の蒸発量を抑えることで魚をこんがり焼き上げます。

設置場所について

- 木製の壁・家具など周囲の可燃物から右図の離隔距離を保つようにしてお使いください。また、前面は開放しておいてください。
- ビニールクロスや樹脂製の熱に弱い壁・家具などの場合は、上記の木製の場合よりさらに距離を離してください。(変形・変色の原因になります。)

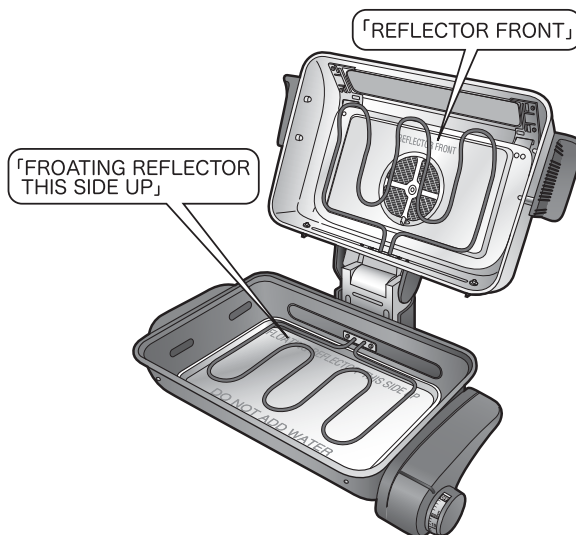
上方12inch(30cm)以上
側方4inch(10cm)以上
後方8inch(20cm)以上
側方4inch(10cm)以上

使い方

お使いになる前に

- 調理以外の用途にはお使いにならないでください。
- 初めてお使いになる前に製品内の梱包材を取り除いてください。
- 初めてお使いになるときに、排気口より煙が出ることがありますが異常ではありません。
- ふた・反射板・水受皿・フロート反射板が確実に取り付けられていることを確認してください。
- 水受皿の取りはずしは、必ずふたをはずしてから行ってください。ふたを開けた状態で水受皿をはずすと、本体・ふたが後方に倒れることがあり危険です。(P.28「部品のはずし方」参照)

- 反射板・フロート反射板を取りつけるときは「REFLECTOR FRONT」「FROATING REFLECTOR THIS SIDE UP」の刻印が表側になるように取りつけてください。



1 差し込みプラグをコンセントに差し込む

タイマーつまみの目盛が「OFF」になっていることを確認してください。

2 水を入れる

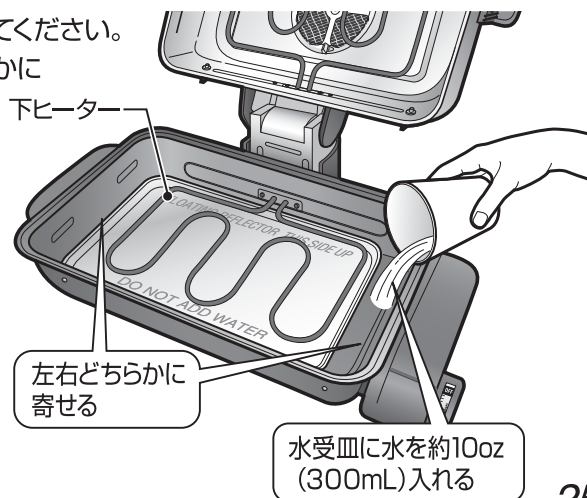
水受皿に水を約10oz(300mL)入れる

- 必ず水受皿に水を入れてからお使いください。

過熱により、ふたの内側や水受皿の塗装がはがれたり、腐食や故障の原因になります。

- 水がない状態で使わないでください。
- 下ヒーターに水がかからないように注意して入れてください。
- フロート反射板に水が入らないように左右どちらかに寄せて、水受皿に水を入れてください。
- 水を入れすぎないでください。
- 調理中に水受皿の水が少なくなったら、水をつぎ足してください。

- 次のようなときは、保护装置が動き、ヒーターへの通電を停止します。
 - ・水受皿に水を入れていない
 - ・水受皿の水がなくなった本体を冷まし(約20分)、水を入れてから使用してください。



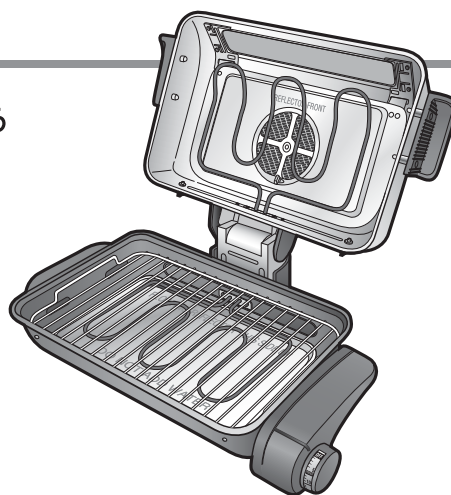
使い方 っづき

3 焼き網を載せる

調理物の厚みにより焼き網の向きをかえて高さを調節する

厚い魚の場合(表:標準)

薄い魚の場合(裏)

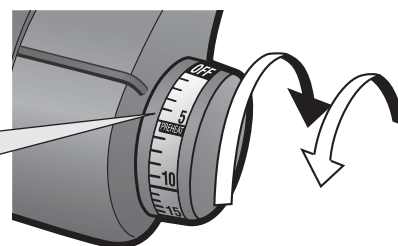


4 予熱する (約5分間)

ふたを閉め、タイマーつまみの目盛を「5 PREHEAT」に合わせる

- 「チーン」と音が鳴ったら予熱完了です。

タイマーを「PREHEAT」および「10」以下で設定するときは、タイマーつまみを一度「11」以上に回してからご希望の目盛に合わせてください。



5 調理物を焼く

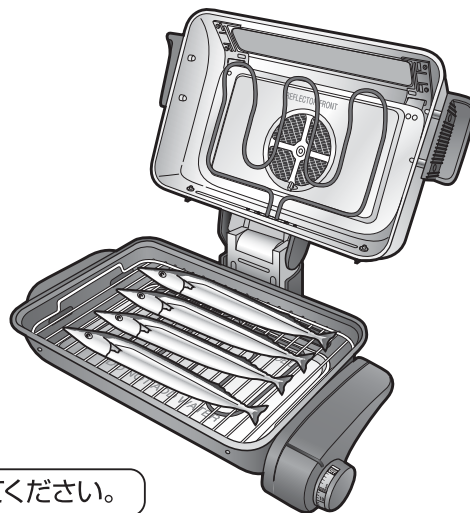
①ふたを開け、調理物を焼き網に載せる

- 厚みのある魚などは、焼き網の手前に載せず奥に載せてください。手前に載せると上ヒーターに接触する恐れがあります。

②ふたを閉め、タイマーつまみの目盛を調理物に応じて合わせる(加熱開始)

- P.27「焼き時間の目安」をご参照ください。

- ガラス窓から焼け具合を確認してください。
- 調理中に水受皿の水が少なくなったら、水をつぎ足してください。水は下ヒーターにかからないよう水受皿とフロート反射板の間に注意して入れてください。
- 調理中にふたを開けるときは、ヒーターおよび金属部が熱くなっていますので、手を触れないよう注意してください。(やけどの恐れ)
- 調理中に水がなくなると、とっ手が熱くなる場合があります。
- 必要以上の加熱はしないでください。

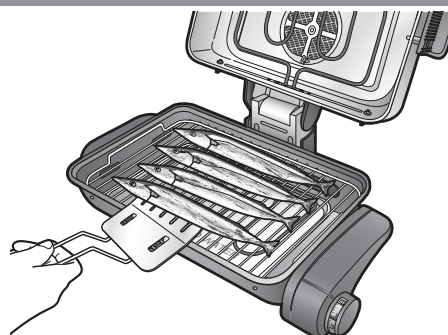


調理を途中でやめるときは… 目盛を「OFF」に合わせてください。

6 できあがり

「チーン」と音が鳴ったら、ふたを開けて調理物を取り出す

- 製品が熱くなっていますので、ふたとっ手以外は手を触れないようにしてください。
- 調理中や調理終了後にふたを開けるときの、中から熱い蒸気や煙が出ますので、顔を近づけないでください。(やけどの恐れ)



7 使用後

差込みプラグをコンセントから抜く

- ふた・水受皿・焼き網などは、使用後に必ずお手入れしてください。(→P.29)

汚れをそのまま放置すると焼きムラができたり、ふたの内側や水受皿の塗装はがれ、腐食、ヒーター損傷や発煙・発火の原因になります。

焼き時間の目安

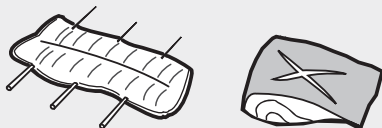
調理物	数量	厚さ		1個あたりの重さ		調理時間(分)
		(約inch)	(約mm)	(約oz)	(約g)	
さんま塩焼	2尾	—	—	5	140	9~10
	4尾	—	—	5	140	13~15
あじの開き	2尾	—	—	5	140	8~10
サーモステーキ	2切れ	1	25	10	280	10~12
テラピア	2切れ	3/4	19	5	140	8~10
テラピアホイル焼き	2包	3/4	19	5	140	13~15
ステーキ	2枚	1	25	14	390	12~14
チョップ	2ヶ	3/4	19	7	190	12~14
ホットドッグ(冷蔵)	8本	3/4	19	2	50	5~6
ソーセージ(冷蔵)	5本	1	25	4	110	10~12
チキン(むね肉、皮なし)	1枚	1	25	10	280	16~18
チキン(もも肉、骨なし、皮なし)	1枚	3/4	19	4	110	13~15

- 調理時間は、調理物の量や大きさ・温度、室温などにより異なります。焼け具合を見ながら時間を調節(2~3分)してください。
- 続けて調理物を焼くときは、調理時間を短めに設定してください。ただし油分の多い調理物は連続して焼かないでください。
- 上ヒーターに調理物が近づくと焦げやすくなりますので注意してください。

アドバイスメモ

■焼くと反ったりする調理物は

- 串を通す
- 切れ目を入れる



■焦げたり形がくずれないように

- 尾・ヒレに塩をまぶす(化粧塩)またはアルミホイルをかぶせる
- 表になる面に切れ目を入れる



- 魚を焼くときは、予熱後、焼き網にサラダ油を塗ると焼き網にこびりつきにくくなります。
- 厚みのある調理物は、肉の場合は厚さ1inch(2.5cm)以下、その他の場合は厚さ1-3/8inch(3.5cm)以下にしてから焼いてください。

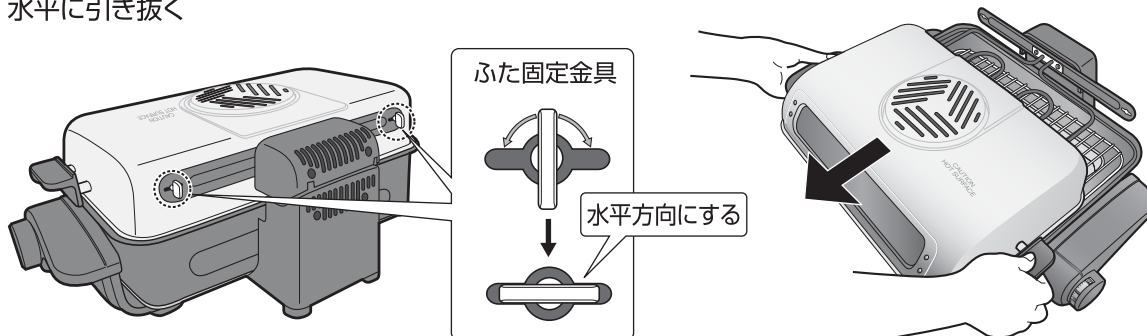
部品のはずし方

差込みプラグをコンセントから抜き、製品が十分に冷めてから行ってください。

- ふた・水受皿は無理なつけはずしをしないでください。(故障の原因になります。)
- 水受皿の取りはずしは、必ずふたをはずしてから行ってください。
(ふたをはずす前に水受皿をはずすと、本体・ふたが後方に倒れ危険です。)
- 水受皿をはずすときは、水がこぼれないように注意してください。
- つけるときははずし方の逆の手順で取りつけてください。

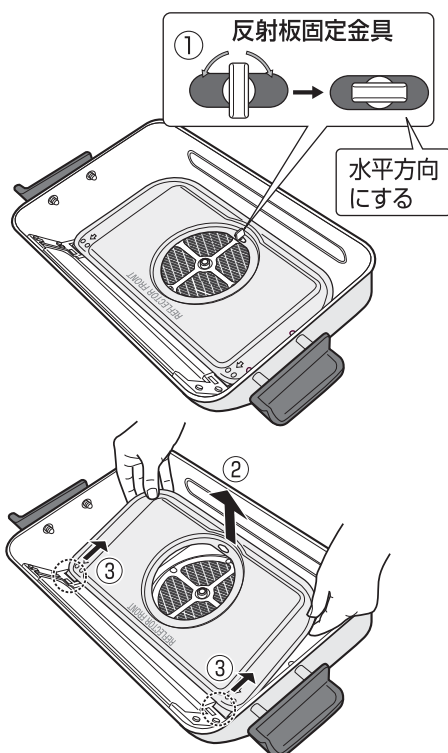
1.ふたをはずす

ふたを閉めた状態でふた固定金具(2カ所)を水平方向にしたあと、ふたとっ手を持ち、本体から水平に引き抜く



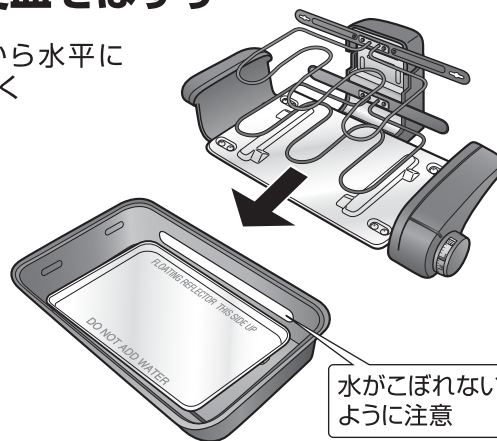
2.反射板をはずす

- ①反射板固定金具を水平方向にする
- ②反射板を持ち上げて反射板固定金具から抜く
- ③矢印の方向にはずす



3.水受皿をはずす

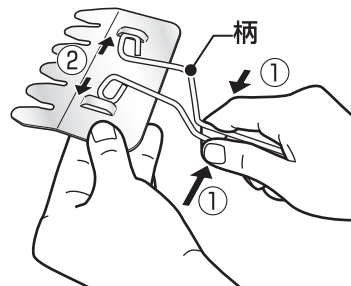
本体から水平に引き抜く



フードサーバーの組み立て方法

- ①柄を内側に押す
- ②柄の先端を差し込む

●はずすときは、柄を内側に押しながら、柄の先端をはずしてください。



お手入れ

差込みプラグをコンセントから抜き、製品が十分に冷めてから行ってください。

- ご使用後に必ずお手入れをしてください。汚れをそのまま放置しておくと、焼きムラやヒーター損傷、発煙・発火の原因になります。
- 異なる調理物を焼く場合はにおい移りすることがありますので、お手入れは念入りに行ってください。
- 次のものは、使用しないでください。
 - 台所用中性洗剤以外の洗剤・シンナー・ベンジン・漂白剤など（変色・割れ・劣化・腐食の原因）
 - みがき粉・ナイロンたわし・ブラシ・金属製のもの・メラミンスポンジ・スポンジのナイロン面・研磨剤入り洗剤など（表面が傷つく原因）
- 化学ぞうきんを使用する場合は、強くふいたり長時間触れさせたりしないでください。（表面が傷ついたり、化学変化を起こす原因）
- 食器洗い乾燥機・食器乾燥器は使用しないでください。（変色の原因）

反射板 フロート反射板 焼き網 水受皿 フードサーバー	①台所用中性洗剤を含ませたスポンジで洗う ②水洗いする ③乾いた柔らかい布でふく
ふた (触媒フィルター含む)	①台所用中性洗剤を含ませたスポンジで洗う ●触媒フィルターは洗わないでください。 ②水洗いする ③ふたを軽く振り、水分を十分にとる ④触媒フィルター部以外を乾いた柔らかい布でふく ⑤ふた・反射板・水受皿・フロート反射板・焼き網を本体に取りつけて約20分空焼きしたあと、自然冷却する（空焼き時は排気口から蒸気が出ます。） ●触媒フィルターはスポンジなどで強くこすらないでください。（スポンジなどが付着することがあります。）
本体 ヒーター部	①台所用中性洗剤を含ませた柔らかい布で汚れをふき取る ②水で絞った布でふく ③乾いた柔らかい布で水分をふき取る ●本体・ヒーター部の丸洗いはしないでください。
コード	乾いた柔らかい布でふく

部品の交換について

- 損傷した場合は、新しい部品と交換（有料）してください。

象印カスタマーサービス

1-800-733-6270

www.zojirushi.com

故障かなと思ったとき

修理を依頼される前に、一度お調べください。

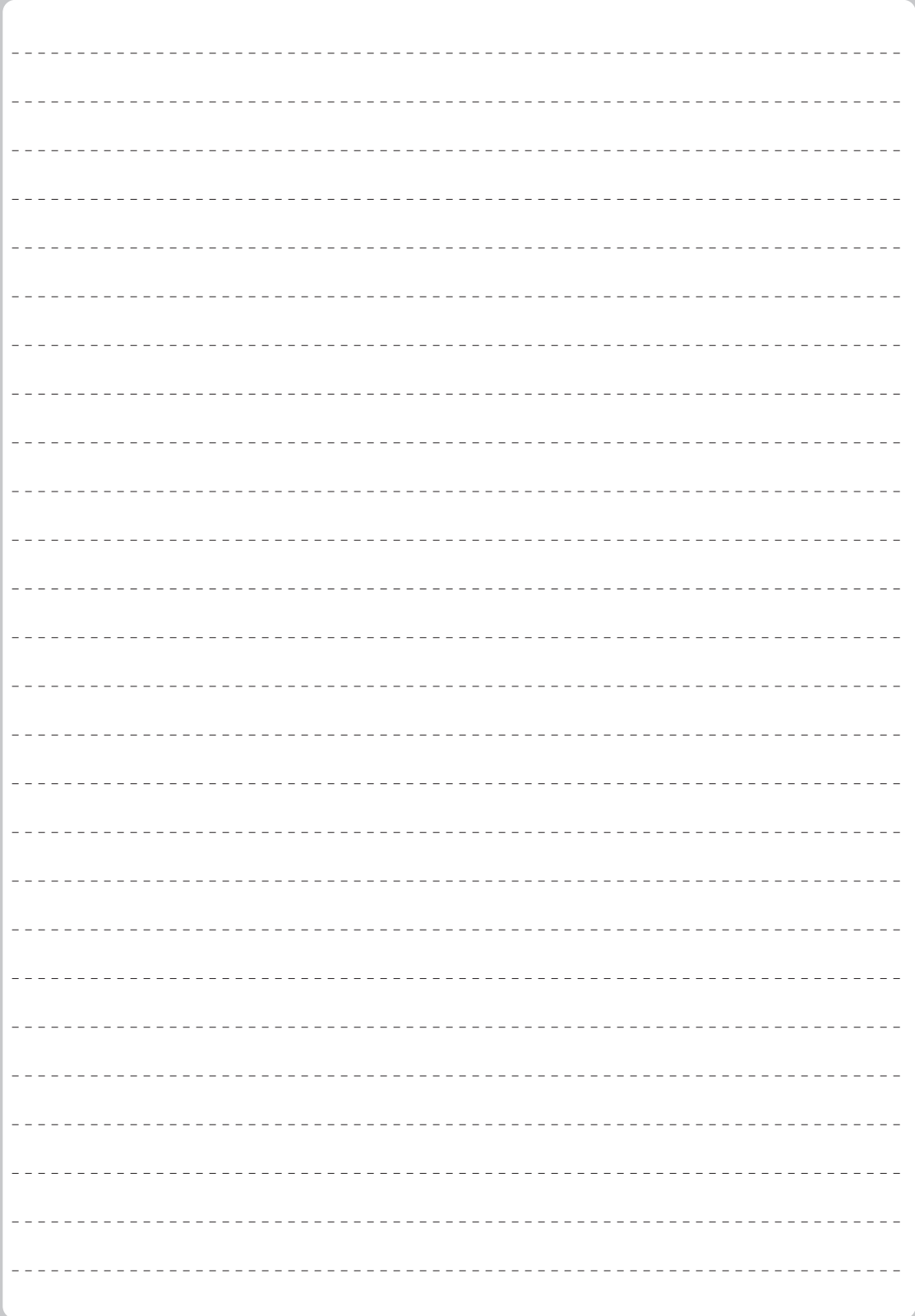
こんなときは	お調べいただくこと	直し方
調理物が加熱されない (ヒーターが発熱しない)	● 差込みプラグがコンセントに確実に差し込まれていますか？	差込みプラグを確実に差し込んでください。
	● タイマーを正しく設定していますか？	タイマーを正しく設定してください。(→P.26)
	● 水受皿の水がなくなっていますか？(保護装置が働いた)	水受皿に水を足してください。(→P.25)
煙が出たり、においがする	● 庫内が汚れていませんか？	使用後は必ずお手入れしてください。
	● はじめてご使用になるときに、煙が出たり、においがすることがありますが、異常ではありません。ご使用とともになくなります。	
	● 脂の多い調理物を焼くと煙が出やすくなります。 ● 触媒フィルターに付着した水分などが加熱されて煙が出る場合があります。	
調理中に瞬間的に庫内で炎が出たり、排気口から煙が出る	● 調理物の脂が下ヒーターの上に直接落ちると瞬間的に炎や煙が出ます。また脂の多いものを焼くと、脂から発生するガスが燃える場合がありますが、故障ではありません。	
調理中(予熱中)に排気口やふたの周囲から煙が出る	● 前回の調理でヒーターに付着した脂が残っていると、通電してしばらくの間、脂が燃えて煙が出る場合があります。使用後は必ずお手入れをしてください。	

仕様

型名	EF-VPC40	
電源	交流120V 60Hz	
消費電力	1300W	
コードの長さ	4' 7" (1.4m)	
外形寸法	(約 inch)	幅19-1/8×奥行11-5/8×高さ7-3/4
	(約 cm)	幅48.5×奥行29.5×高さ19.5
焼き網の寸法	(約 inch)	13-3/4×8-1/4
	(約 cm)	幅35×奥行21
質量	約11lbs. (4.8kg)	

メモ

おぼえのため、記入されると便利です。

A large rectangular area with horizontal dashed lines for writing notes. The lines are evenly spaced and extend across the width of the page, providing a guide for text entry.



www.zojirushi.com

EF-VPC ©(B)(A)