

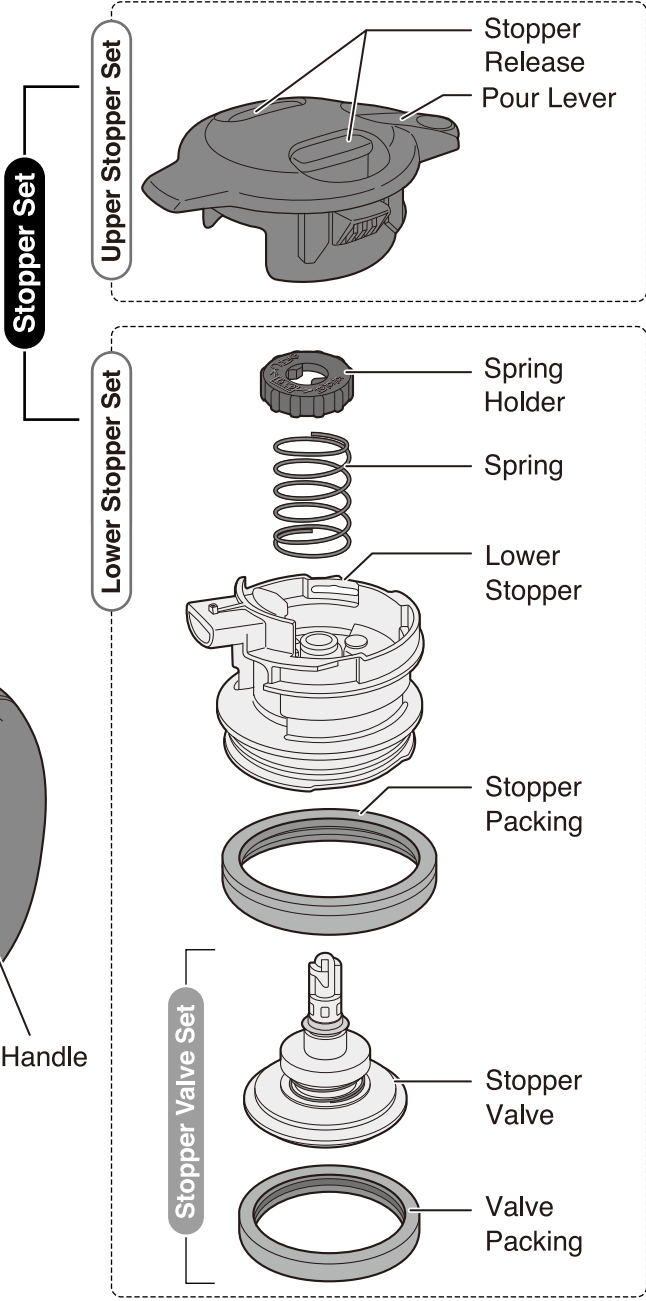
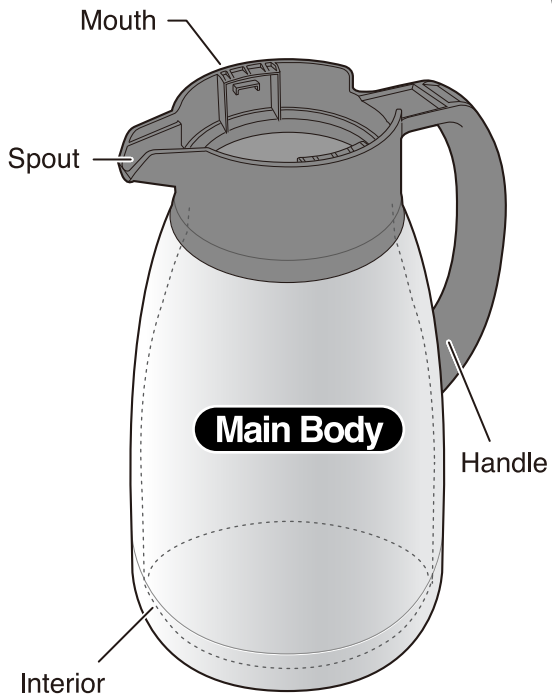


Household Use Only

# Stainless Steel Vacuum Carafe SH-HA Instruction Manual

## Name of Each Part

- Be sure that all parts are attached firmly before each use.



Please read these instructions before use, and keep for future reference.









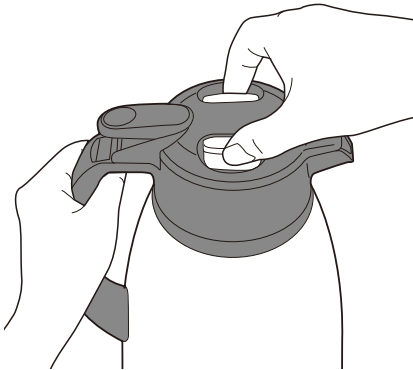
## How to Use

Before use, rinse the Stopper Set and the interior of the Main Body thoroughly with lukewarm water.

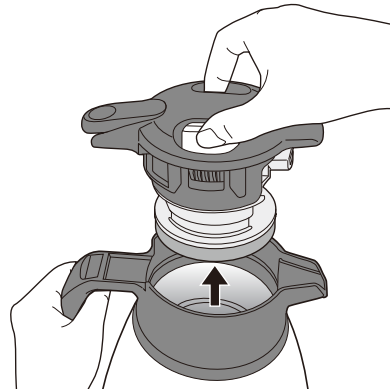
Always make sure that all parts of the Stopper Set are properly attached before using. See pg. 7-8 “How to Assemble the Parts” for details. (Beverages may leak if the parts are not attached properly.)

### 1 Remove the Stopper Set.

① Hold the handle with one hand and pinch the Stopper Release.



② Pull the Stopper Set out while pinching.



### 2 Fill with beverage and attach the Stopper Set.

Press the center of the Stopper Set straight down.

- Firmly push the Stopper Set until the Stopper Release on both sides click into place.

#### **[Caution]**

Make sure to press down the center of the Stopper Set. You may pinch or injure your finger or hand between the Stopper Set and the Main Body.

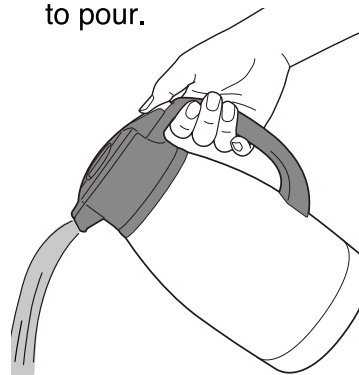


### 3 Pour beverages.

① Hold the handle and press the Pour Lever with the Main Body standing upright.



② While holding and pressing the Pour Lever, tilt the Carafe to pour.

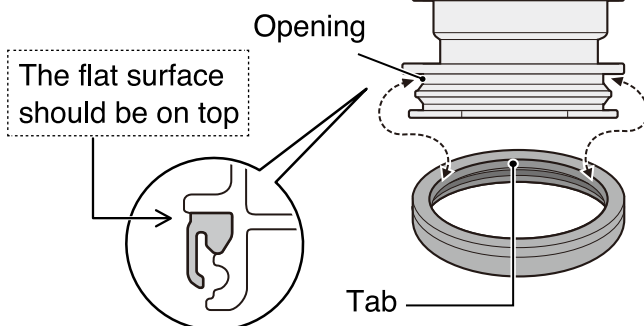


# How to Assemble the Stopper Set

## 1 Attach the packings.

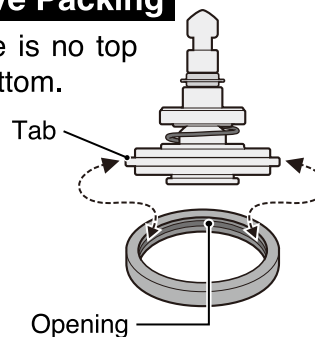
### Stopper Packing

Note the top and bottom of the Packing.



### Valve Packing

There is no top or bottom.



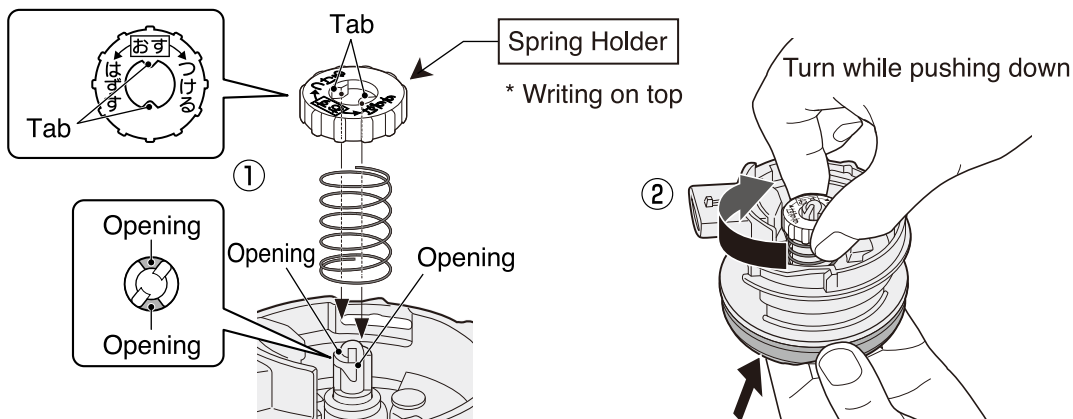
- After attaching the packings, press them with your fingers from the outside toward the center. (The Carafe may not function properly or beverages may leak if the parts are not attached properly.)

## 2 Attach the Stopper Valve Set.

- ① Insert the Stopper Valve Set into the Lower Stopper Set, place the spring, then the Spring Holder.

\* Make sure to set the Spring Holder so that the writing is on top.

- ② While holding the bottom of the Stopper Valve Set, push in the Spring Holder and turn it clockwise 90 degrees as indicated by the arrow, and attach it to the Stopper Valve Set.



Align the Tabs on the Spring Holder with the Opening on the Stopper Valve.

Hold with finger

## How to Assemble the Stopper Set, continued

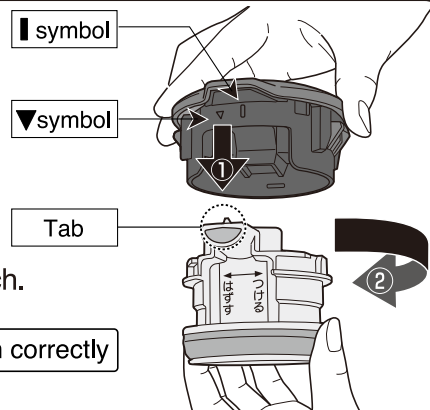
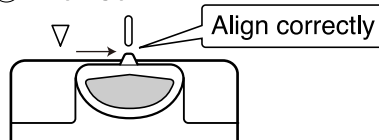
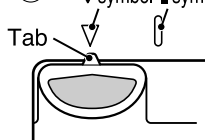
### 3 Attach the Upper Stopper Set.

① Align the ▼ symbol on the Upper Stopper Set with the Tab on the Lower Stopper Set, and attach.

② Turn the Lower Stopper Set clockwise as indicated by the arrow and align the I symbol with the Tab on the Lower Stopper Set to attach.

① ▼ symbol I symbol

② When Set



## How to Take Care of Your Carafe **Always clean all parts thoroughly after each use.**

- Always disassemble the Carafe before cleaning. (See pg. 5-6)

### Exterior Stopper Set

- ① Wash with warm water and mild dishwashing liquid using a soft sponge.
  - ② Rinse, shake a few times, and wipe dry.
- Disassemble the Stopper Set and remove the Stopper Packing and Valve Packing before cleaning and drying. See pg. 5-6 "How to Disassemble the Parts" for details.
  - Please use a small brush (sold in stores) if necessary.

### Interior

- ① Wash with warm water and mild dishwashing liquid using a soft sponge with a handle.
- ② Then rinse and wipe moisture out to dry.

### When Cleaning Your Product:

- Do not clean with thinner, benzene, abrasive cleaners or other harsh cleaners.
- Do not use chlorine type bleach.
- Do not use a dishwasher or dish-dryer. Do not boil to sanitize.
- The product is washable, but do not soak it in water for an extended period of time.
- Wipe moisture off thoroughly to prevent water stains or rusting.

- When storing the Carafe, place it inside a plastic bag before placing it in the box. Keep the box away from places with high temperature and humidity. Make sure that the product is clean and dried thoroughly before storing.



## How to Take Care of Your Carafe, continued

### To Remove Rust Spots and Water Stains:

You may find rust spots or water stains caused by impurities in the water. To remove these stains, fill the Main Body with hot water with 10% vinegar and let it stand for 30 minutes to an hour without attaching the Stopper Set then wash the interior thoroughly.

### To Remove Coffee and Tea Stains:

To remove coffee and tea stains from the interior and the Stopper Set, we recommend using Zojirushi's cleaning detergent SB-ZA01/SB-ZA01E. Always remove the Stopper Set when using SB-ZA01/SB-ZA01E.

●Contact Zojirushi Customer Service or your local dealer for further information.

### Replacement Parts (Stopper Set, Stopper Valve Set, Stopper Packing)

We take care in only using materials that are safe and hygienic for food contact. However, if plastic parts become damaged or its surface becomes rough, please replace them for optimum performance. The Stopper Set, Stopper Valve Set, Stopper Packing may need to be replaced due to time and wear. Please check them about once a year. When replacing parts, please record the model number and part name beforehand. Then contact either the store where you purchased the product or Zojirushi Customer Service. Replacement parts may be available for an additional charge.

## SPECIFICATIONS:

### PRODUCT: STAINLESS STEEL VACUUM CARAFE

Model No.	Capacity	Weight	Heat Retention	Cold Retention
SH-HA10	1.0 liter (33.8 oz.)	0.7 kg (24.7 oz.)	49°C (120°F) @ 24 hr. / 67°C (152°F) @ 10 hrs.	9°C (49°F) @ 10 hrs.
SH-HA15	1.5 liter (50.7 oz.)	0.8 kg (28.2 oz.)	58°C (136°F) @ 24 hr. / 73°C (163°F) @ 10 hrs.	8°C (47°F) @ 10 hrs.
SH-HA19	1.9 liter (64.2 oz.)	0.9 kg (31.7 oz.)	62°C (143°F) @ 24 hr. / 76°C (168°F) @ 10 hrs.	8°C (47°F) @ 10 hrs.

#### Heat/Cold Retention Testing Conditions:

At a room temperature of 20°C±2°C (68°F±4°F), the Main Body is filled to the neck with hot or cold water and left standing in an upright position. For heat retention, once the hot water reaches 95°C±1°C (203°F±2°F), the temperature is measured after 24 hour and 10 hours. For cold retention, once the cold water reaches 4°C±1°C (39°F±2°F), the temperature is measured after 10 hours.

Materials: Inner Liner	Stainless Steel	
Exterior	Stainless Steel (Acrylic Resin Painted)*	
Mouth	Polypropylene	
Lower Stopper	Polypropylene	* The stainless (XA) color is not coated with Acrylic Resin.
Packing	Silicon	

Manufacturer: Zojirushi Corporation

Address: 1-20-5 Tenma, Kita-ku, Osaka 530-8511, Japan