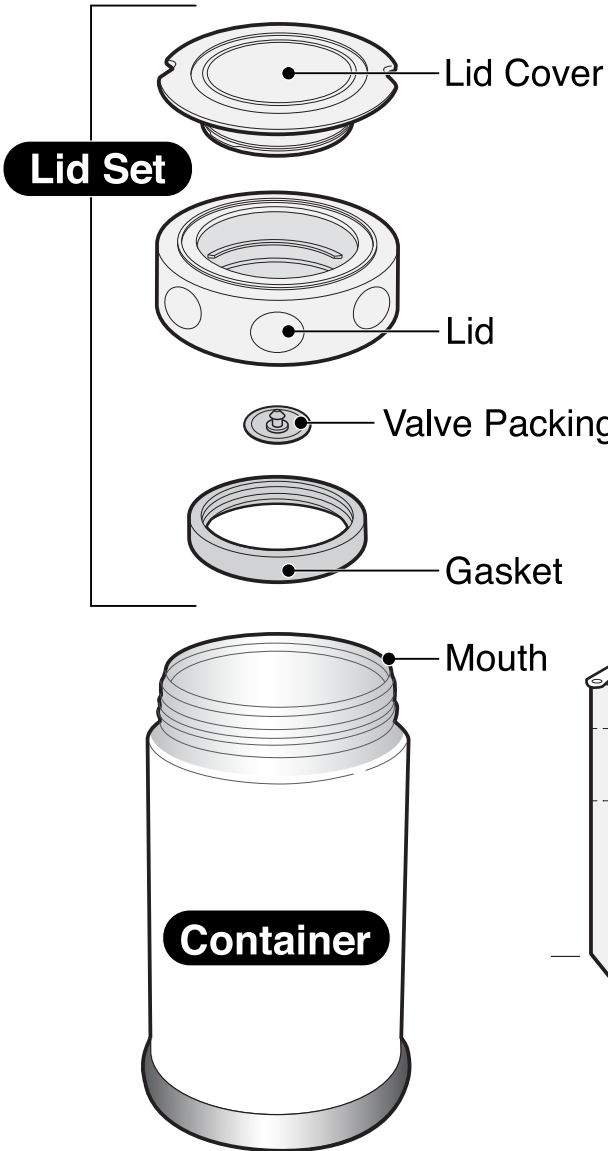




Household Use Only

Stainless Steel Food Jar Model No. SW-FBE INSTRUCTION MANUAL

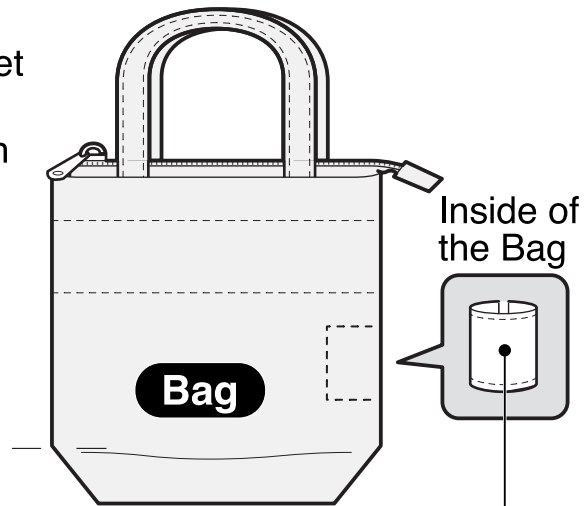
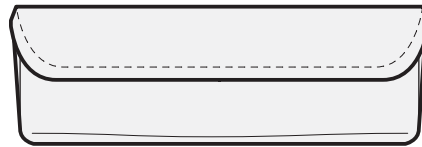
Name of Each Part



Spoon



Spoon Sleeve



To hold chopsticks and chopsticks case (chopsticks and chopsticks case not included). Depending on size and shape, it may not fit into the Chopsticks Holder.

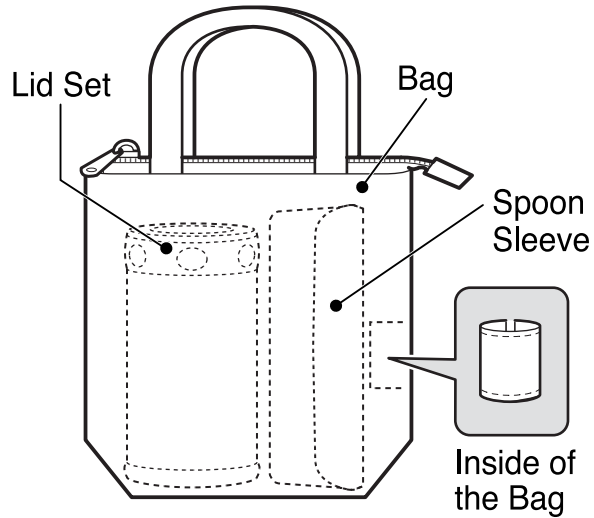
● Be sure that all parts are attached firmly before each use.

Please read before use. Keep these instructions for future reference.

How to Use: cont.

5 Place in the Bag

- ① Place the Container upright in the Bag as illustrated.
- ② Place the Spoon in the Spoon Sleeve and store the Spoon in the Bag upright. (The Spoon and the Spoon Sleeve do not fit into the Holder.)
- ③ Close the zipper of the Bag.

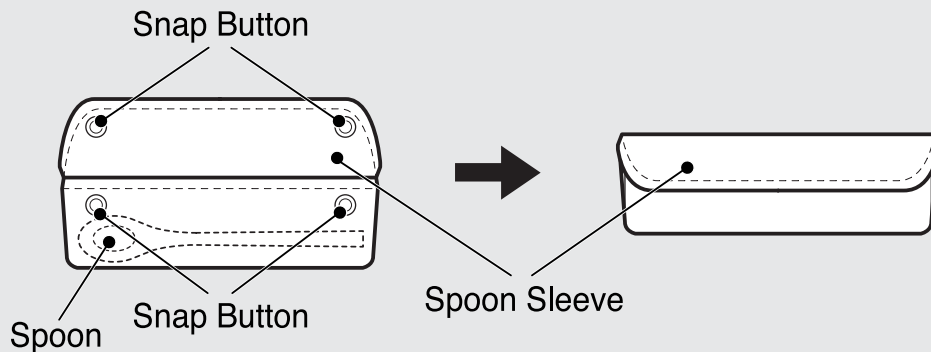


The Spoon and the Spoon Sleeve do not fit into the Holder.

How to Use the Spoon Sleeve

- ① Open the Spoon Sleeve and place the Spoon inside the pocket.

- ② Close the Spoon Sleeve and snap the buttons.



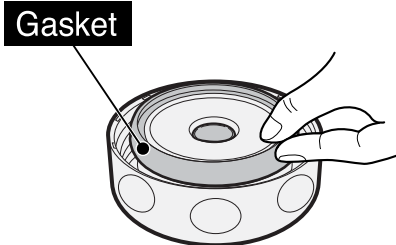
How to Disassemble and Assemble the Lid Set:

How to Disassemble the Lid Set:

1. Turn the Lid Cover counterclockwise to remove.

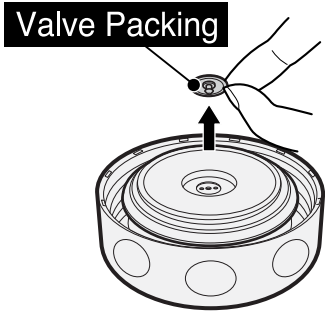


2. Pull the Gasket off with your fingers.



3. Pull the Valve Packing off with your fingers.

The Valve Packing is located on the center of the Lid.

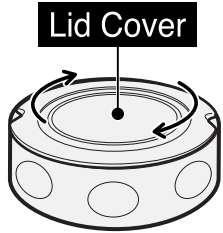


● The Lid Set has an open space for insulation. Remove the Lid Cover and clean the interior.

How to Assemble the Lid Set:

1. Attach the Gasket and Valve Packing to the Lid. (See pg.8 “How to Attach the Gasket” and “How to Attach the Valve Packing” for details.)

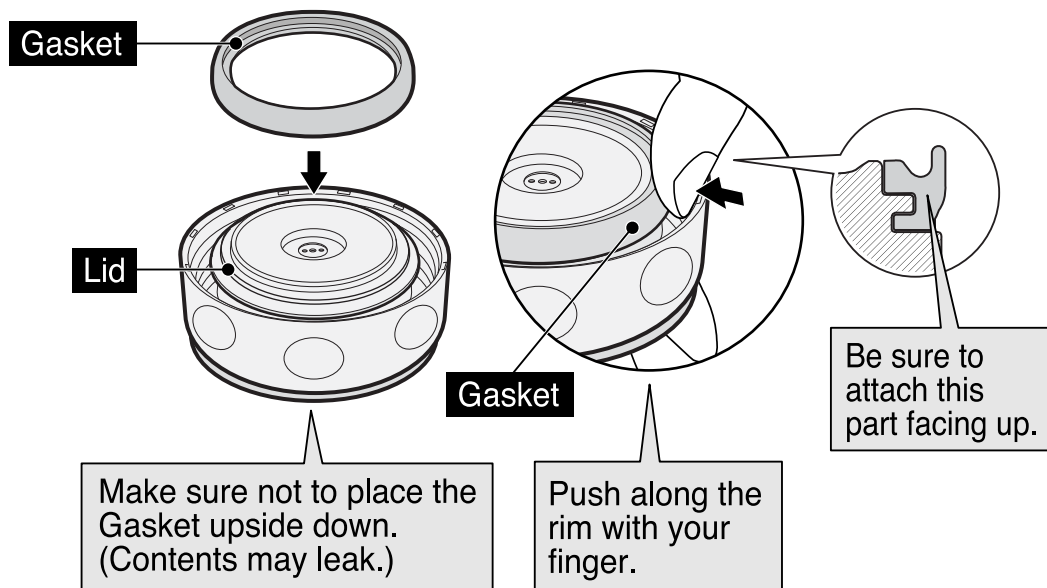
2. Turn the Lid Cover clockwise to attach.



How to Disassemble and Assemble the Lid Set: cont.

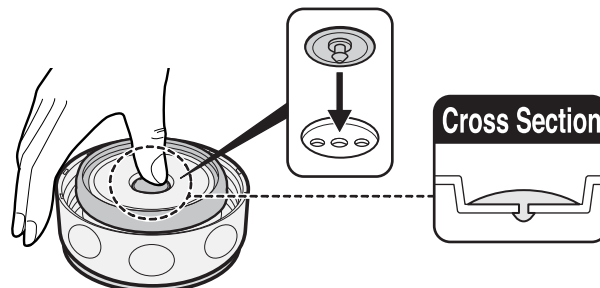
How to Attach the Gasket:

1. Fit the Gasket to the Lid as illustrated.
2. Make sure the Gasket is fit all round.



How to Attach the Valve Packing:

Fit the Valve Packing in the hole on the center of the Lid as illustrated. Make sure that the pointed part of the Valve Packing is protruding through the other side of the Lid.



※ There are 3 holes at the center of the Lid. Please make sure to fit the Valve Packing in the center hole.

- Please replace the Valve Packing after cleaning.
- Please take caution not to scratch the Gasket and Valve Packing with your finger nails.

- After attaching the Gasket and the Valve Packing, make sure they are not twisted and that they are fitted tightly to prevent contents from leaking.

How to Take Care of Your Food Jar:

- Always clean all parts thoroughly after each use.

Outside of the Container	Wash with warm water and mild dishwashing liquid using a soft sponge. After rinsing, shake a few times and wipe dry.
Inside of the Container	Wash with warm water and mild dishwashing liquid using a soft sponge with handle. Be sure to rinse the interior thoroughly and dry. Always wash the inside thoroughly after each use to prevent odors from developing.
Lid Set (Lid Cover, Lid, Gasket and Valve Packing)	Wash with warm water and mild dishwashing liquid, rinse and wipe dry. <ul style="list-style-type: none"> ● Always disassemble the Lid Set when cleaning (see pg.7). ● Remove the Lid Cover when drying the Lid. ● Be sure to reassemble the Lid Set properly after cleaning to prevent contents from leaking.
Spoon	Wash with warm water and mild dishwashing liquid, rinse and wipe dry.
Bag	Wipe it clean with warm water and mild dishwashing liquid using a soft cloth. Then wipe with a soft cloth with warm water. <ul style="list-style-type: none"> ● Do not wash the Bag in a washing machine or hand wash in water. (Doing so may damage the material.) ● Store the Bag in a cool, dry place with good air circulation when not in use. (Humidity may cause wrinkles in the material.)
Spoon Sleeve	Hand wash with warm water and mild dishwashing liquid. <ul style="list-style-type: none"> ● Do not wash the Spoon Sleeve in a washing machine. (Doing so may damage the material.)

- When storing for a long period of time, wash thoroughly with warm water, dry well and store in a cool, dry place to minimize damages.
- Dry thoroughly to prevent water stains or rusting of the product.
- The Container can be washed whole but do not soak for an extended period of time. (Water may get inside and become difficult to remove.)

How to Take Care of Your Food Jar: cont.

- Always clean all parts thoroughly after each use.

- Do not use chlorine type bleach.
- Do not clean with thinner, benzene, abrasive cleaners or other harsh cleaners.
- Do not use a dishwasher or dish-dryer. Do not boil to sanitize (see pg.3).

To Remove Rust Spots and Water Stains:

You may find rust spots or water stains caused by impurities in the water. To remove these stains, fill the Container with hot water with 10% vinegar and let stand for 30 minutes to an hour with the Lid Set open. Rinse and wash the interior (see pg.9 “How to Take Care of Your food Jar”).

For Odor Problems:

If the product is kept unwashed for a long period of time or is not cleaned thoroughly, it may smell or discolor. In this case, please follow these instructions:

Container, Lid Set and Spoon

Wash thoroughly and dry with a soft cloth. Place in the sun and let dry for 1-2 hours.

Replacing the Valve Packing and Gasket

We take care in only using materials that are safe and hygienic for food contact. However, if plastic parts become damaged or its surface becomes rough, please replace them for optimum performance. The Valve Packing and Gasket may need to be replaced due to time and wear. Please check them about once a year. When replacing parts, please record the model number and part name beforehand. Then contact either the store where you purchased the product or Zojirushi Customer Service. Replacement parts may be available for an additional charge.