



Thermal *Gravity Pot*® Beverage Dispenser Operating Instructions

SY-BA60 / SY-BA60N (without Serving Base)

- Please read these instructions before use, and keep for future reference.

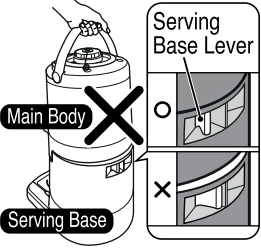
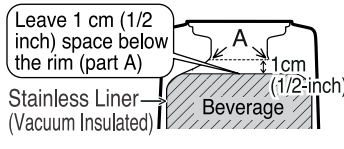
INDEX

Important Safeguards.....	2
Warnings & Cautions.....	3
Parts Name.....	3
How to Use.....	4
How to Disassemble and Assemble.....	8
Cleaning and Maintenance.....	14
Q&A.....	15
Specifications.....	16
Replacement Parts.....	16

- **Do not dispense beverages without the Serving Base attached.**
- **Use only with the original Serving Base for SY-BA60.**
- **Ne distribuez pas de boissons lorsque la base de service n'est pas fixée.**
- **N'utilisez l'appareil qu'avec la base de service d'origine pour le SY-BA60.**
- **No sirva bebidas sin la Base del Dispensador colocada.**
- **Utilícelo solo con la Base original para el SY-BA60.**

Important Safeguards

- Always follow these instructions to prevent scalding, deterioration and discoloration of beverages, as well as malfunction and staining of the Dispenser.

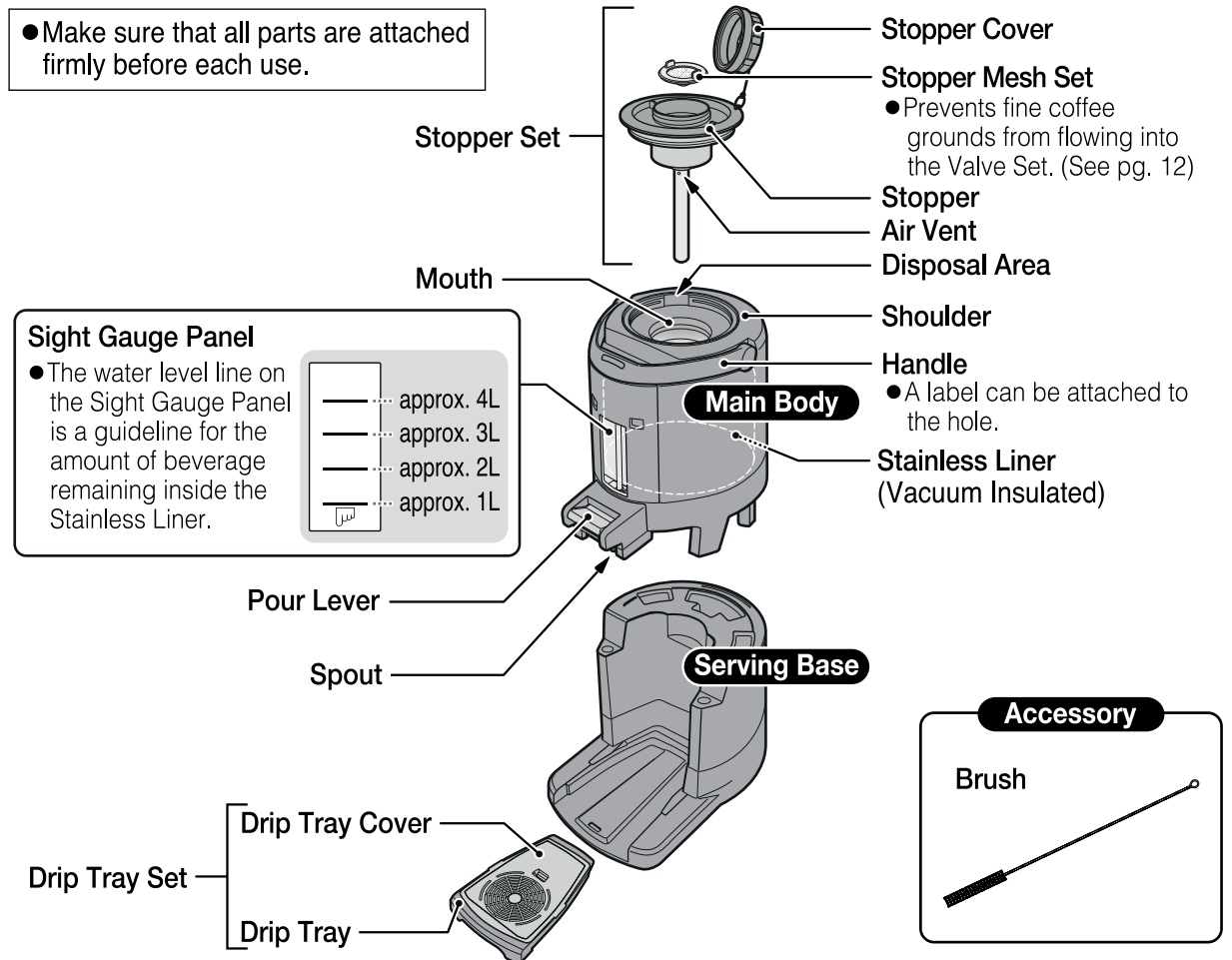
<p>Use only with the original Serving Base. It may cause burns or other injury, if the Main Body is tipped over.</p>	<p>This Dispenser is for holding beverages and keeping them hot or cold. Please do not use for other than intended purposes.</p>
<p>Do not dispense beverages without the Serving Base attached. It may cause burns or other injury, if the Main Body is tipped over.</p>	<p>Do not use the Dispenser if it loses its heat retention properties. The Exterior will become very hot when the Dispenser is filled with hot beverages.</p>
<p>Do not allow infants or small children to use this product. Keep out of the reach of infants and small children. Mishandling may cause injury or scalding.</p>	<p>Do not use under direct sunlight or near open flames from sources such as stoves. Doing so may cause deformation or discoloration of the Dispenser.</p>
<p>Do not attempt to repair the Dispenser by disassembling or modifying the parts. Doing so may cause malfunction or accidents.</p>	<p>Always make sure that the Cap Gasket of the Valve Set is attached to the Valve Cap. (See pg. 12) If not, beverages may leak and cause scalding or stains.</p>
<p>Avoid dropping or hitting against hard surfaces. Doing so may damage the Dispenser.</p>	<p>Always make sure to attach the Stopper Set securely. If not, beverages may spill.</p>
<p>When moving the Main Body with the Serving Base attached, ensure that the Serving Base is locked in properly by making sure that the Serving Base Lever is fastened properly. Not doing so may cause injury or damage.</p> 	<p>Do not fill the Dispenser with the following:</p> <ul style="list-style-type: none"> ● Dry ice and carbonated drinks: Pressure may build up inside, which may cause the Stopper Set to become difficult to remove or cause beverages to spray out or the Stopper Set or other parts to burst. ● Dairy products and fruit juice: If left inside for a long period of time, they may spoil, produce gas, and increase pressure, causing contents to spray out or the Stopper Set or other parts to burst. ● Beverages high in sodium: Although the Stainless Liner is made of 18/8 stainless steel, this may cause corrosion and loss of thermal insulation. ● Fruit pulp and tea leaves: Doing so may clog the Valve Set and cause contents to spoil.
<p>Consume beverages within the same day to prevent from spoiling. If left inside for a long period of time, the Stainless Liner may deteriorate or corrode. Also, beverages left inside may spoil and produce gas which increases the pressure inside the Main Body, causing the Stopper Set to pop off and beverages to spill, causing injuries.</p>	<p>Do not add milk or sugar to beverages in the Stainless Liner. Doing so may cause beverages to spoil or clog the Main Body and cause leaks.</p>
<p>Hold the Handle firmly when carrying the Dispenser.</p> <ul style="list-style-type: none"> ● Do not tilt the Dispenser or carry it on its side. ● Do not touch the Pour Lever. ● Do not hold the Dispenser by the Stopper Cover or Stopper. <p>Doing so may cause burns or stains.</p>	<p>Precautions when cleaning:</p> <ul style="list-style-type: none"> ● Do not clean with thinner, benzene, abrasive cleaners or other harsh cleaners. Doing so may damage the Dispenser. ● Do not use chlorine type bleach. Doing so may damage the Stainless Liner by causing corrosion or pinholes. ● Do not boil. Do not use a dishwasher or dish-dryer. Doing so may cause scratches, corrosion, deformation, or other damages. ● Do not immerse the Dispenser in water. Doing so may cause water ingress, corrosion, malfunction or staining of other parts of the Dispenser.
<p>Do not tip over the Dispenser when filled with beverages. Doing so may cause burns or stains.</p>	<p>Clean the Stainless Liner thoroughly after every use. Not doing so may damage the Stainless Liner by causing corrosion, pinholes, malfunction, or the contents to spoil.</p>
<p>Do not place inside moving vehicles when filled with beverages. Doing so may cause burns, damage, or leakage.</p>	<p>Do not place near open flames (from gas stoves, etc.), on top of electric heaters or IH hot plates, or other IH cooking devices. Doing so may cause a fire or malfunction.</p>
<p>Never use the Dispenser on an unstable surface. The Main Body may tilt and cause burns or injuries.</p>	<p>Only fill beverages to the level indicated in the illustration. Overfilling may cause the beverage to overflow when the Stopper Set is attached or leak from the Sight Gauge Tube Cover (Top).</p> 

Warnings & Cautions

<p>To avoid discoloration of tea that is kept hot in the Dispenser, fill with hot water instead, and dispense it into a small teapot or on tea bags to brew tea.</p>	<p>When taking the Dispenser out from under a brewer or moving it elsewhere, always avoid touching the Spout or Pour Lever against your body or clothes. The beverage may spill out and scald you or stain your clothes.</p>
<p>After use, always wash the Stopper Set, Valve Set, Sight Gauge Tube, Sight Gauge Tube Covers (top and bottom), Bottom Connection Tube, and Joint Seal Rubber. Leaving the Dispenser as-is may cause mold.</p>	<p>When filling the Stainless Liner with ice, pour the beverage in first, and then add the ice gently. Break any ice cubes into smaller pieces before adding them. Not doing so may cause deformation or other damage.</p>
<p>When filling with beverages, do not allow hot containers such as kettles to touch the Dispenser Shoulder or Mouth. Doing so may cause scratches or deformation.</p>	

When storing the Dispenser, place it inside a plastic bag before placing it in the box. Keep the box away from places with high temperature and humidity. Make sure that the product is clean and dried thoroughly before storing.

Parts Name



The illustrations used in this Operating Instructions may vary from the actual product you have purchased.

How to Use

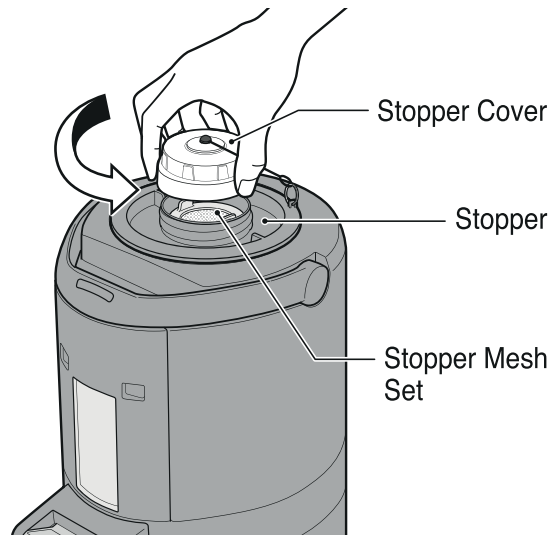
- Before use, rinse the Stainless Liner, Mouth, and Stopper Set (detached) well under warm water. With some water in the Stainless Liner, press the Pour Lever to confirm that it dispenses correctly without leakage.

1 Remove the Stopper Cover or Stopper Set.

When filling directly from a brewer:

Turn the Stopper Cover in the direction shown by the arrow to remove it.

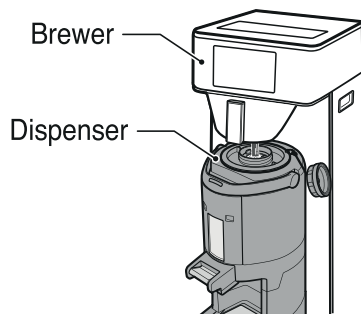
- Do not remove the entire Stopper Set.
- Confirm that the Stopper and Stopper Mesh Set are still attached. (These parts keep fine coffee grounds out of the Valve Set.)
- Rinse off any coffee grounds on the Stopper Mesh Set. (Not doing so may cause overflowing from the Stopper when filling from a brewer.)



2 Fill with beverage.

When filling directly from a brewer:

Place the Dispenser under the brewer nozzle and fill with coffee.

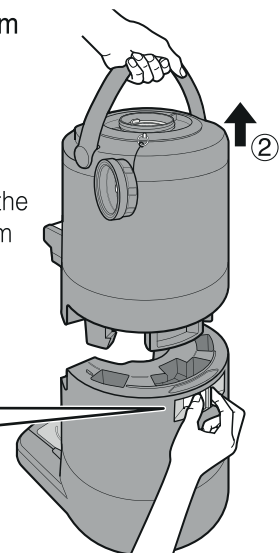
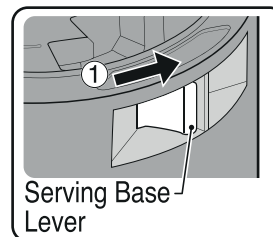


- Check if there is any coffee left in the Dispenser before filling. Not doing so may cause coffee to overflow depending on the amount of coffee left inside.

If the Dispenser does not fit under the brewer...

Detach the Main Body from the Serving Base.

- ① Pinch the Serving Base Lever at the back of the Serving Base.
- ② Hold the Handle and lift the Main Body to detach from the Serving Base.



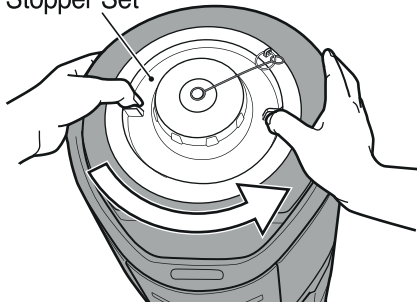
How to Use, continued

- Any initial smell of plastic will gradually fade with use.

When manually pouring from other containers:

Turn the Stopper Set in the direction shown by the arrow to remove it.

Stopper Set



Beverages can be kept hot or cold more effectively if you preheat or precool with a little hot or cold water for about a minute before filling with your beverage.

When manually pouring from other containers:

Pour the beverage directly and slowly into the Stainless Liner.

- Beverage may overflow from the Sight Gauge Tube Cover (Top) if it is poured vigorously.



3 Reattach the Stopper Cover.

When filling directly from a brewer:

Remove the Dispenser from the brewer and attach the Stopper Cover by turning in the direction shown by the arrow until it stops.

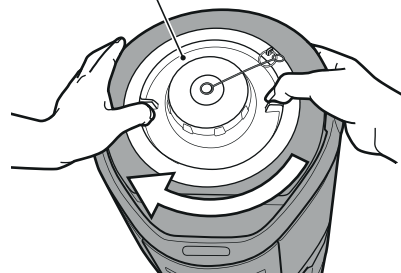


Attach the Serving Base if it has been removed from the Main Body. (See pg. 7)

When manually pouring from other containers:

Attach the Stopper Set by turning it in the direction shown by the arrow until it stops.

Stopper Set

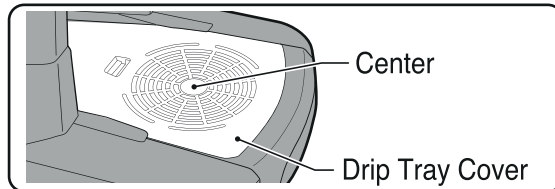
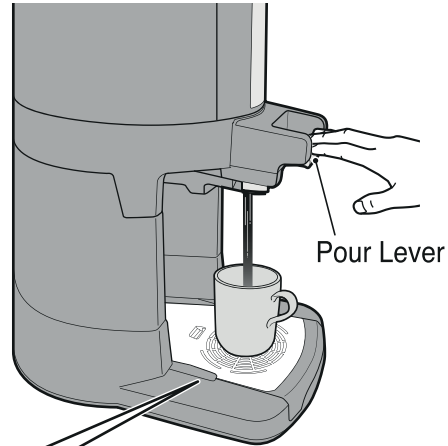


How to Use, continued

4 Press the Pour Lever to dispense beverage.

Place the cup on the Center of the Drip Tray Cover and press the Pour Lever.

- The beverage level in the Sight Gauge Tube fluctuates as pouring reduces pressure, but this is normal and does not indicate a malfunction.
- When dispensing beverages into a carafe, open the Lid or remove the Stopper of the carafe. (If not, it may overflow.)

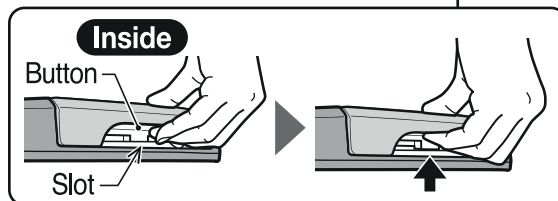
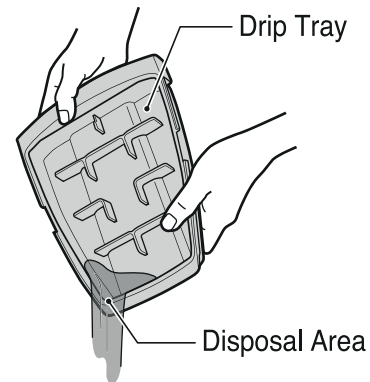
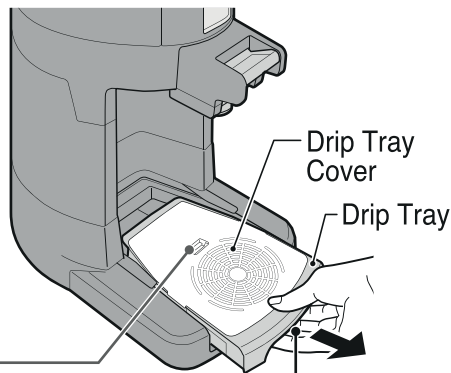
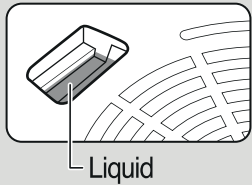


5 After use, dispose of any liquids in the Drip Tray Set.

① Remove the Drip Tray by pressing up on the release button inside the slot while pulling it out, as shown by the arrow.

② Remove the Drip Tray Cover and dispose of any liquids in the Drip Tray.

- Empty the Drip Tray when liquid becomes visible through the hole in the Drip Tray Cover during use.



How to Use, continued

Disposing of beverage

After use, always dispose of any beverage left in the Dispenser.

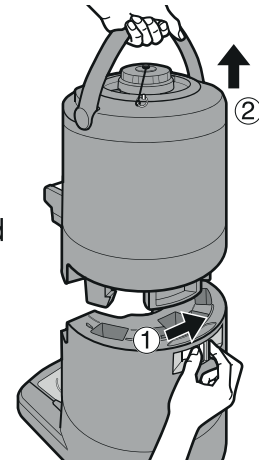
1 Disposing of the beverage.

If there is any beverage left in the Dispenser, press the Pour Lever to dispose of it into a separate container.



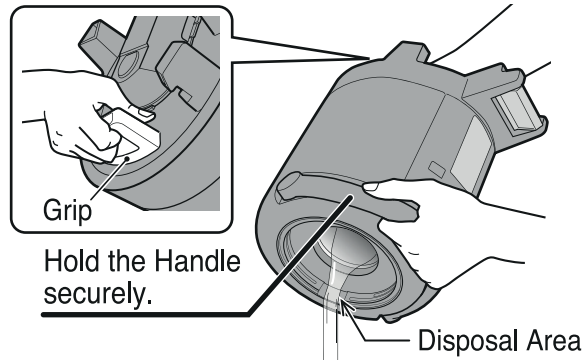
2 Remove the Main Body from the Serving Base.

- ① Pinch the Serving Base Lever at the back of the Serving Base.
- ② Hold the Handle and lift the Main Body to detach from the Serving Base.



3 Remove the Stopper Set, and dispose of any beverage remaining in the Stainless Liner from the Disposal Area by tilting the Main Body.

- When disposing the beverage, hold the Handle and the Dispenser by the Grip.
- Be careful of the hot beverage or steam during disposal.
(Not doing so may cause scalding.)
- Disposal of beverage from places other than the Disposal Area will cause the beverage to seep in between the Sight Gauge Panel and Main Body, and may cause stains or damage.

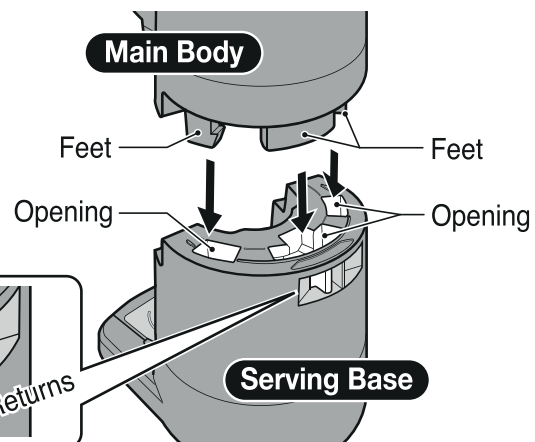
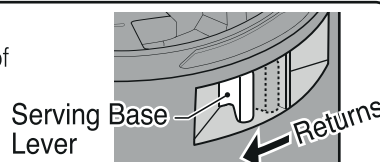


4 Reattach the Main Body to the Serving Base.

- After disposing the beverage, attach the Main Body to the Serving Base.

Align and insert the three Feet on the bottom of the Main Body with the three Openings at the top of the Serving Base.

- Push in until the Serving Base Lever at the back of the Serving Base fully returns to the locked position.



How to Disassemble and Assemble

- Before use, make sure to securely reattach all parts that have been taken apart for cleaning.

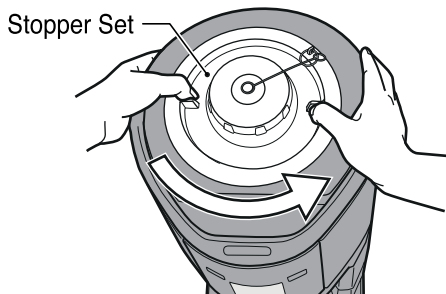
How to Disassemble

1 Remove the Main Body from the Serving Base. (See pg. 4)

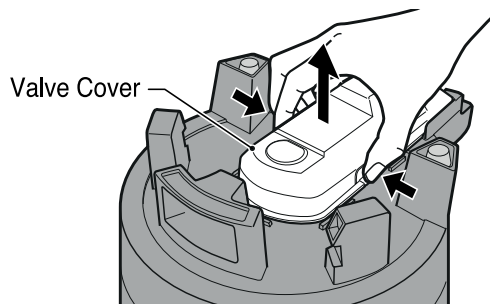
- ① Pinch the Serving Base Lever at the back of the Serving Base.
- ② Hold the Handle and lift the Main Body to detach from the Serving Base.

2 Remove the Valve Cover.

- ① Turn the Stopper Set in the direction shown by the arrow to remove it.

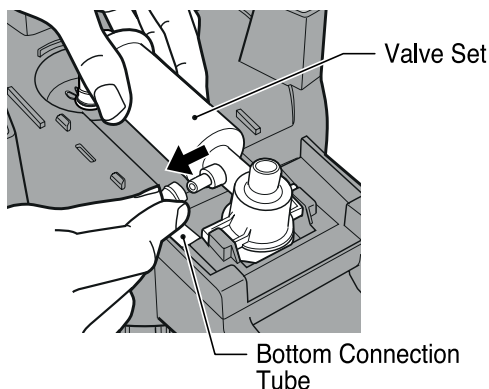


- ② With the Main Body upside-down, press both sides of the Valve Cover in the direction shown by the arrows while lifting it up.

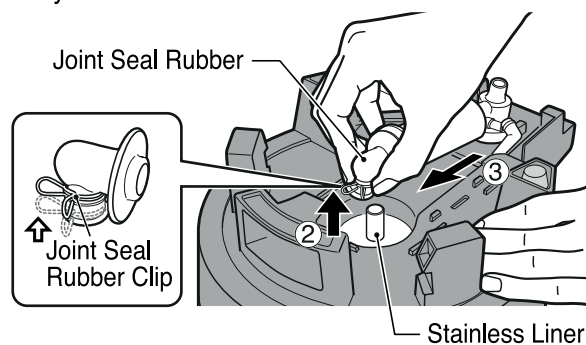


3 Remove the Valve Set.

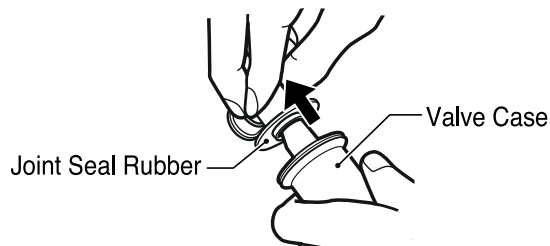
- ① While holding the Valve Set with one hand, remove the Bottom Connection Tube.



- ② Pinch the Joint Seal Rubber Clip and move it out of the way, in the direction shown by the ↗ arrow, remove the Joint Seal Rubber from the Stainless Liner.
- ③ Remove the Valve Set in the direction shown by the arrow.



- ④ Remove the Joint Seal Rubber from the Valve Case.



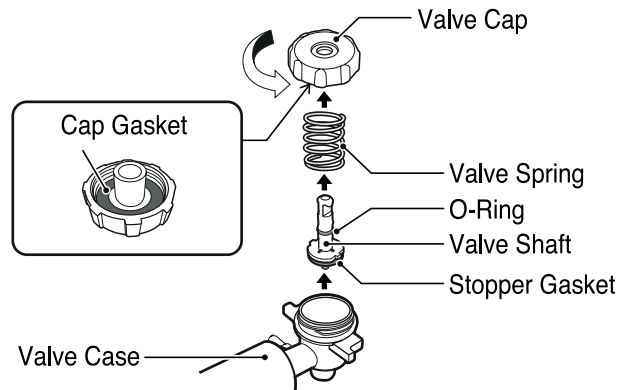
How to Disassemble and Assemble, continued

- Before use, pour some water in the Stainless Liner and press the Pour Lever to confirm that it dispenses correctly without leakage.

How to Disassemble, continued

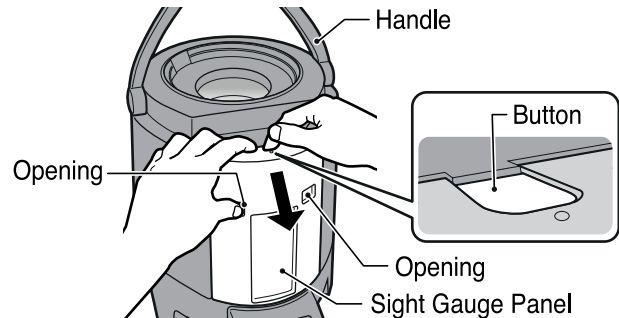
4 Disassemble into these components: Valve Cap, Valve Spring, Valve Shaft, and Valve Case.

Turn the Valve Cap in the direction shown by the arrow to remove it, and then remove the Valve Spring and Valve Shaft.



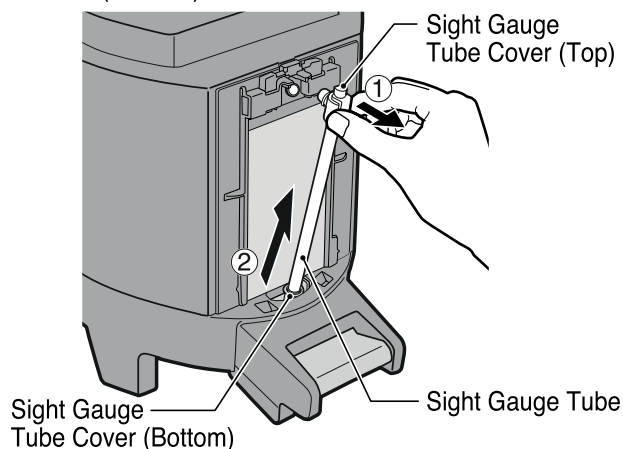
5 Remove the Sight Gauge Panel.

- ① Return the Main Body to the upright position and push the Handle up.
- ② While holding the Openings, push the button to release the Sight Gauge Panel and pull forward to remove.

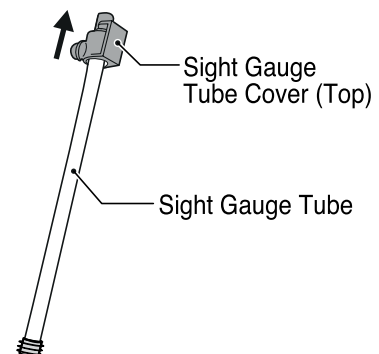


6 Remove the Sight Gauge Tube and the Sight Gauge Tube Cover (Top).

- ① Pull the Sight Gauge Tube Cover (Top) toward you to remove it.
- ② Lift the Sight Gauge Tube and remove the Sight Gauge Tube from the Sight Gauge Tube Cover (Bottom).



- ③ Remove the Sight Gauge Tube Cover (Top) from the Sight Gauge Tube.

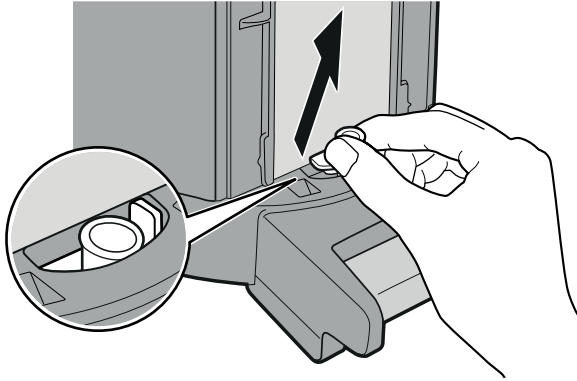


How to Disassemble and Assemble, continued

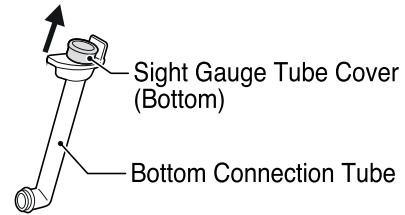
How to Disassemble, continued

7 Remove the Sight Gauge Tube Cover (Bottom).

① Pull out the Sight Gauge Tube Cover (Bottom) and Bottom Connection Tube in the direction of the arrow.

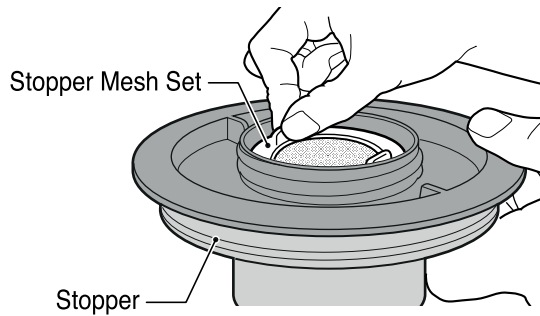


② Remove the Sight Gauge Tube Cover (Bottom) from the Bottom Connection Tube.



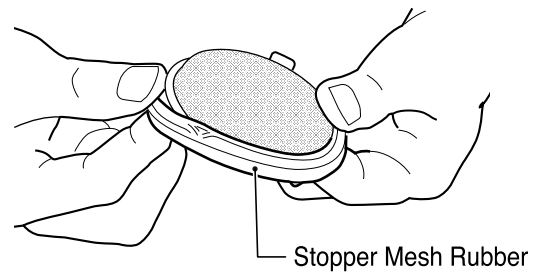
8 Remove the Stopper Mesh Rubber.

① Remove the Stopper Mesh Set from the Stopper.



● The Stopper does not disassemble. Doing so may damage the Stopper.

② Remove the Stopper Mesh Rubber.

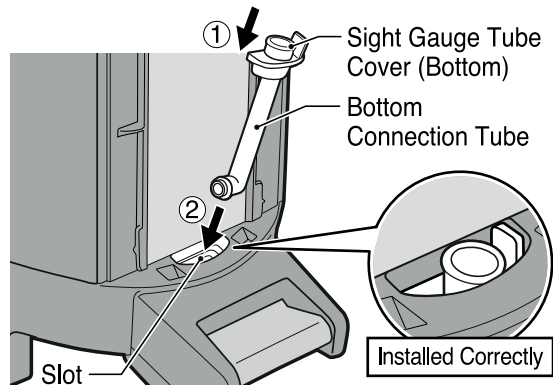


How to Disassemble and Assemble, continued

How to Assemble

1 Attach the Sight Gauge Tube Cover (Bottom).

- ① Attach the Sight Gauge Tube Cover (Bottom) to the Bottom Connection Tube.
- ② Insert the Bottom Connection Tube in the hole on the bottom of the front of the Main Body.

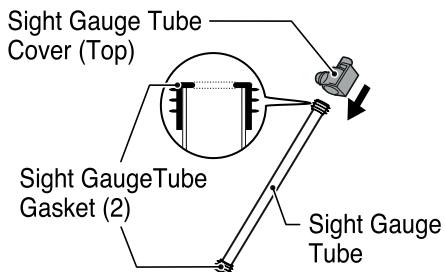


2 Attach the Sight Gauge Tube and Sight Gauge Tube Cover (Top) to the Main Body.

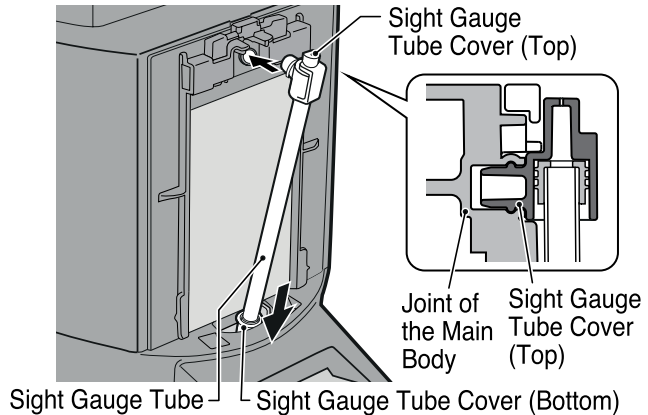
- ① Attach the Sight Gauge Tube Cover (Top) to the Sight Gauge Tube.

Before attaching the Sight Gauge Tube Cover (Top)

Confirm that the Sight Gauge Tube Gasket is attached as shown below.



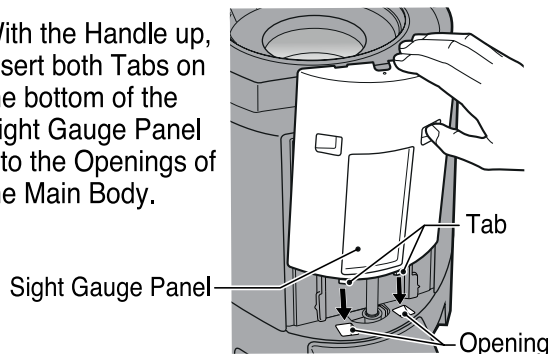
- ② Insert the Sight Gauge Tube in the Sight Gauge Tube Cover (Bottom). Then insert the Sight Gauge Tube Cover (Top) into the connector on the Main Body.



- Handle Sight Gauge Tube with care. Not doing so may cause damage or injury.

3 Attach the Sight Gauge Panel.

- ① With the Handle up, insert both Tabs on the bottom of the Sight Gauge Panel into the Openings of the Main Body.



- ② Push the Sight Gauge Panel back until it clicks in to attach to the Main Body.

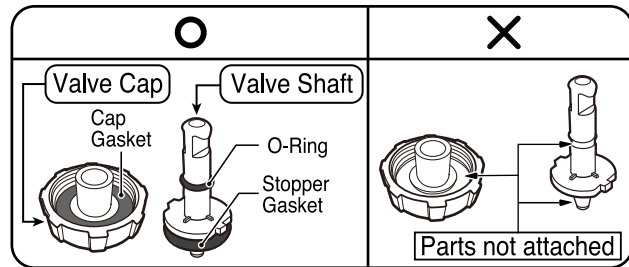


How to Disassemble and Assemble, continued

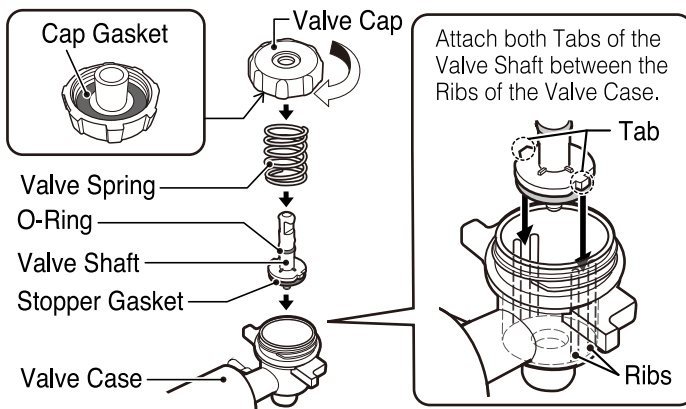
How to Assemble, continued

4 Assemble the Valve Set.

① Before closing the Valve Cap, confirm that the Stopper Gasket and O-Ring are attached to the Valve Shaft and that the Cap Gasket is attached to the Valve Cap.

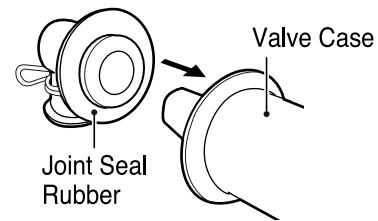


② Attach the Valve Shaft and Valve Spring to the Valve Case, and then close securely by turning the Valve Cap in the direction of the arrow.



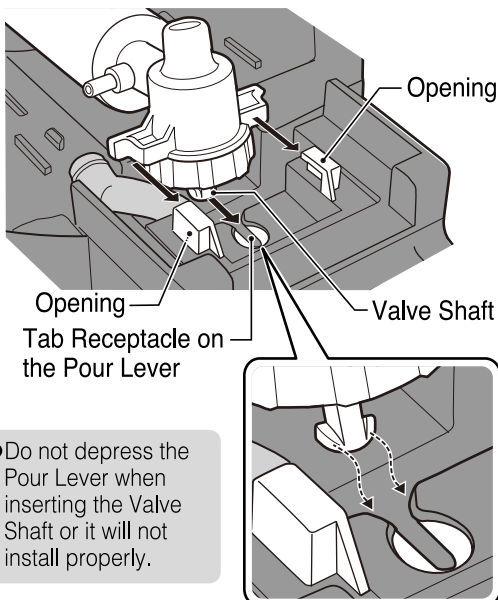
③ Insert the Joint Seal Rubber fully into the Valve Case.

- Make sure there are no gaps or twisted parts.



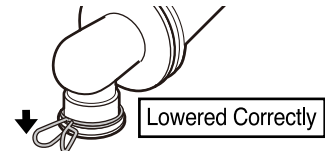
5 Attach the Valve Set to the Main Body.

- ① Turn the Main Body upside-down.
- ② Insert the Valve Shaft into and under the Tab Receptacle of the Pour Lever.



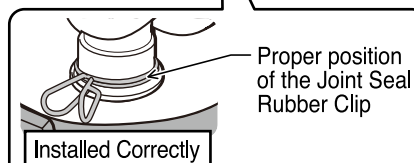
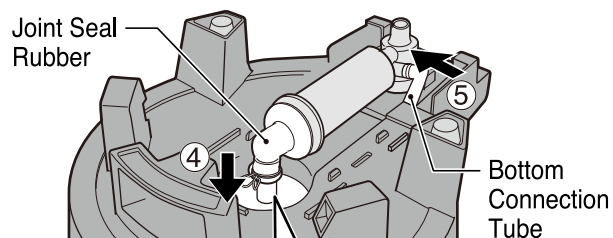
- Do not depress the Pour Lever when inserting the Valve Shaft or it will not install properly.

③ Lower the Joint Seal Rubber Clip to the bottom of the Joint Seal Rubber.



④ Insert the Joint Seal Rubber fully onto the Stainless Liner.

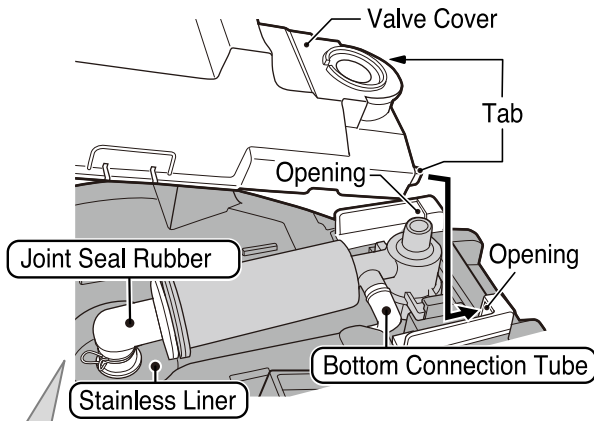
⑤ Attach the Bottom Connection Tube to the Valve Set.



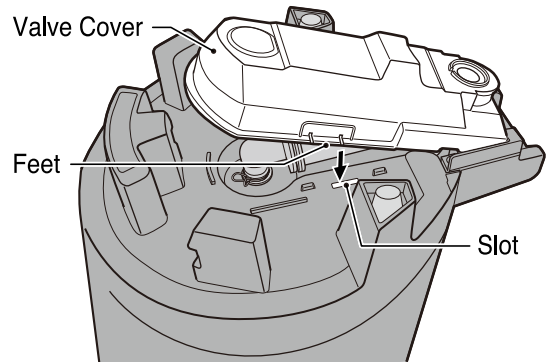
How to Disassemble and Assemble, continued

6 Attach the Valve Cover.

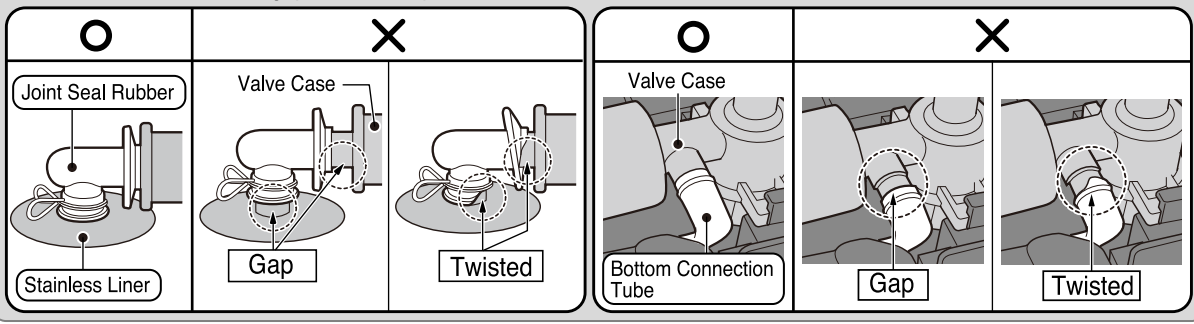
① Insert both Tabs of the Valve Cover into the Openings on the front of the Main Body.



② When attaching, align both Feet of the Valve Cover with the two Slots on the Main Body.



● Make sure there are no gaps or twisted parts.

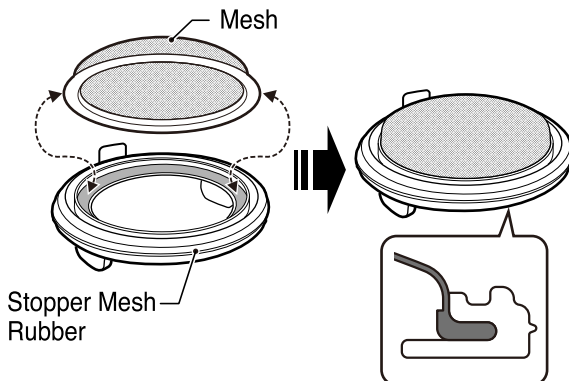


7 Attach the Main Body to the Serving Base. (See pg. 7)

● Push in until the Serving Base Lever at the back of the Serving Base fully returns to the locked position.

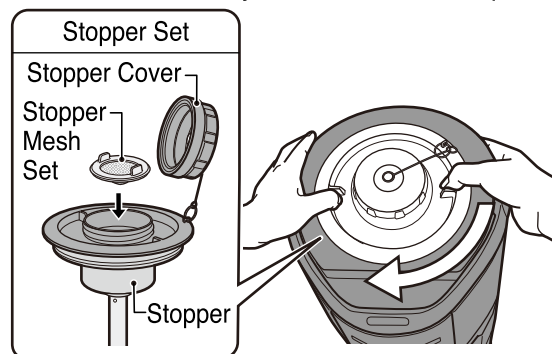
8 Attach the Stopper Set.

① Attach the Stopper Mesh Rubber to the Mesh.



② Attach the Stopper Mesh Set to the Stopper, and then attach the Stopper Cover.

③ Attach the Stopper Set by turning it in the direction shown by the arrow until it stops.



With some water in the Stainless Liner, press the Pour Lever to confirm that it dispenses correctly without leakage.

Always attach the Valve Cover. The Valve Set may break, leak, or cause scalding if subjected to impact.

Cleaning and Maintenance

- Keep the Dispenser sanitary by cleaning the Dispenser after each use to prevent odor and mold.
- Always disassemble before cleaning. (See pg. 8-10)

- **DO NOT COMPLETELY IMMERSE ENTIRE DISPENSER.**
- **DO NOT USE BLEACH, CHLORINE, OR OTHER HARSH CHEMICALS.**
(Doing so may cause damage to the metal and/or thermal breakdown.)
- **THE DISPENSER IS TO BE USED WITH ONLY WATER, COFFEE OR TEA, IT IS NOT RECOMMENDED FOR USE WITH ANY OTHER LIQUIDS.**

Whenever the Dispenser has been disassembled for cleaning, for safety purposes, dispense water by pumping the Pour Lever several times to check and test that water dispenses smoothly and that there is no leakage.

1. CLEANING OF STAINLESS LINER

1.1 Daily cleaning:

Fill the Dispenser with clean hot water up to the level shown in the diagram on pg. 2, and pump the Pour Lever several times to empty the Dispenser. This will remove any clots or coffee ground build-up.

1.2 Using a coffee dispenser cleaner, brew a full pot of cleaner into the Dispenser and allow to sit for 10-15 minutes.

1.3 After the recommended time has elapsed, use a large brush to clean the interior of the Dispenser thoroughly.

1.4 Empty contents of the Dispenser through the dispensing valve using a pumping action on the Pour Lever.

1.5 Refill the Dispenser with clean water and dispense it out the valve again until the water runs clear. If water is not clear, repeat rinse process until clear.

2. CLEANING OF PARTS

The Dispenser can be disassembled easily for cleaning and sanitizing of parts adjacent to the Stainless Liner. Use the three sink cleaning and sanitizing method to clean and sanitize the remaining parts. The first sink filled with warm water and detergent solution, the second sink filled with warm clean water, and the third sink filled with cool water and sanitizer solution.

2.1 Wash all parts in the water/detergent filled sink using the supplied small Brush.

2.2 Rinse all parts in the clean water filled sink.

2.3 Sanitize all parts by putting them into the sink filled with the sanitizer solution for 5 min.

2.4 Dispense sanitizer solution completely out of the valve assembly and make sure no sanitizer solution remains.

2.5 Allow the Dispenser to air-dry completely.

- **The Sight Gauge Tube will become slippery during cleaning. Be careful not to drop it. Do not force a brush into the Sight Gauge Tube.**

Doing so may cause damage, scratches, or deformation.

- **Do not force a brush into the Bottom Connection Tube nor the Joint Seal Rubber.**

When washing the Bottom Connection Tube, use mild kitchen detergent.

If a brush is forced into the Bottom Connection Tube without using detergent, the brush may become stuck and cause damage.

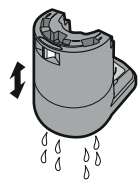

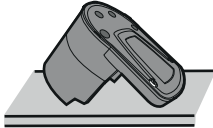
- **Use soft cleaning materials, such as a sponge or cloth.**

- **Do not clean with thinner, benzene, abrasive cleaners or other harsh cleaners.**

- **Do not boil. Do not use a dishwasher or dish-dryer.**

- **Before use, make sure to securely reattach all parts that have been taken apart for cleaning.**

Not doing so may cause burns, damage or leakage.

Cleaning of Main Body (including the Exterior, Mouth and the Shoulder)	Wipe clean with a damp well-wrung cloth. ● Never immerse the Main Body.
Care of the Serving Base	Remove the Drip Tray Set and wipe clean with a damp well-wrung cloth.
To remove tough stains on the Serving Base:	
① Wash the Serving Base under running water.	② Shake the Serving Base several times to thoroughly drain the water inside. Turn the Serving Base upside-down and repeat step.
	
	③ Wipe it dry and place it as shown to dry thoroughly.
	
● For how to clean the Drip Tray Set, see pg. 14, section 2.	

Q&A

Problem	Cause	Solution
The Dispenser does not retain heat or cold.	The Stopper Set may not be closed tightly.	Make sure to close it tightly.
	The beverage itself may not be hot or cold enough.	Fill to the correct position with a beverage that is sufficiently hot or cold. Preheating or precooling the Dispenser can keep beverages warm or cold more effectively.
Beverages are not dispensed.	The Sight Gauge Tube and Valve Set may not be attached securely.	Always attach it securely. (See pg. 11-12)
The Dispenser leaks.	The Sight Gauge Tube and Valve Set may not be attached securely.	
	The Valve Cap may not be tight.	Rinse the Valve Set to remove any coffee grounds.
Less beverage is dispensed.	The Valve Set may have coffee grounds caught inside.	Less beverage is dispensed when there is little left.
	The Dispenser may be almost empty.	Wipe clean with a damp well-wrung cloth. (See above, Cleaning of Main Body)
	The Mouth may not be clean.	Wash as needed. If this does not solve the issue, check the Pour Lever and Valve Set for damage. Contact Zojirushi Customer Service if parts need to be replaced or repaired (this will incur a fee).
The Sight Gauge Tube and Valve Set may not be clean.		
A rattling noise can be heard when the Dispenser is shaken.	The noise comes from the copper or aluminum foil in the vacuum insulation to help keep beverages hot or cold. It does not indicate a malfunction.	
Beverages overflow from the Stopper.	Check for coffee grounds on the Stopper Mesh Set.	Rinse the Stopper Mesh Set to remove any coffee grounds.
	Dispenser may be overfilled with beverages.	Fill with a suitable amount. (See pg. 2)
	The Mouth may not be clean.	Wipe clean with a damp well-wrung cloth. (See above, Cleaning of Main Body)
	The Air Vent may be clogged.	Wash the Air Vent of the Stopper. (See pg. 14, section 2)

Specifications

Product: Thermal *Gravity Pot*[®] Beverage Dispenser

Model No.	Capacity	Weight	Heat Retention (Above)	Cold Retention (Below)
SY-BA60	1.5 Gallons 202 oz. (6.0 liters)	Approx. 206 oz. (Approx. 6.0kg)	194°F (90°C) @ 2 hrs. 190°F (88°C) @ 4 hrs.	45°F (7°C) @ 6 hrs.
SY-BA60N		Approx. 140 oz. (Approx. 4.0kg)	185°F (85°C) @ 6 hrs.	

■ Heat/Cold Retention Testing Conditions:

At a room temperature of 68°F±4°F (20°C±2°C), the Main Body is filled to below the Stopper with hot or cold water and left standing in an upright position. For heat retention, once the hot water reaches 203°F±2°F (95°C±1°C), the temperature is measured after 2 and 4 and 6 hours. For cold retention, once the cold water reaches 39°F±2°F (4°C±1°C), the temperature is measured after 6 hours.

Materials: Stainless Liner Stainless Steel
 Exterior Polypropylene
 Stopper Set Polypropylene
 Valve Set Polypropylene
 Gasket Silicon
 (Materials used in main components of major parts)

Manufacturer: Zojirushi Corporation
 Address: 1-20-5 Tenma, Kita-ku, Osaka 530-8511, Japan

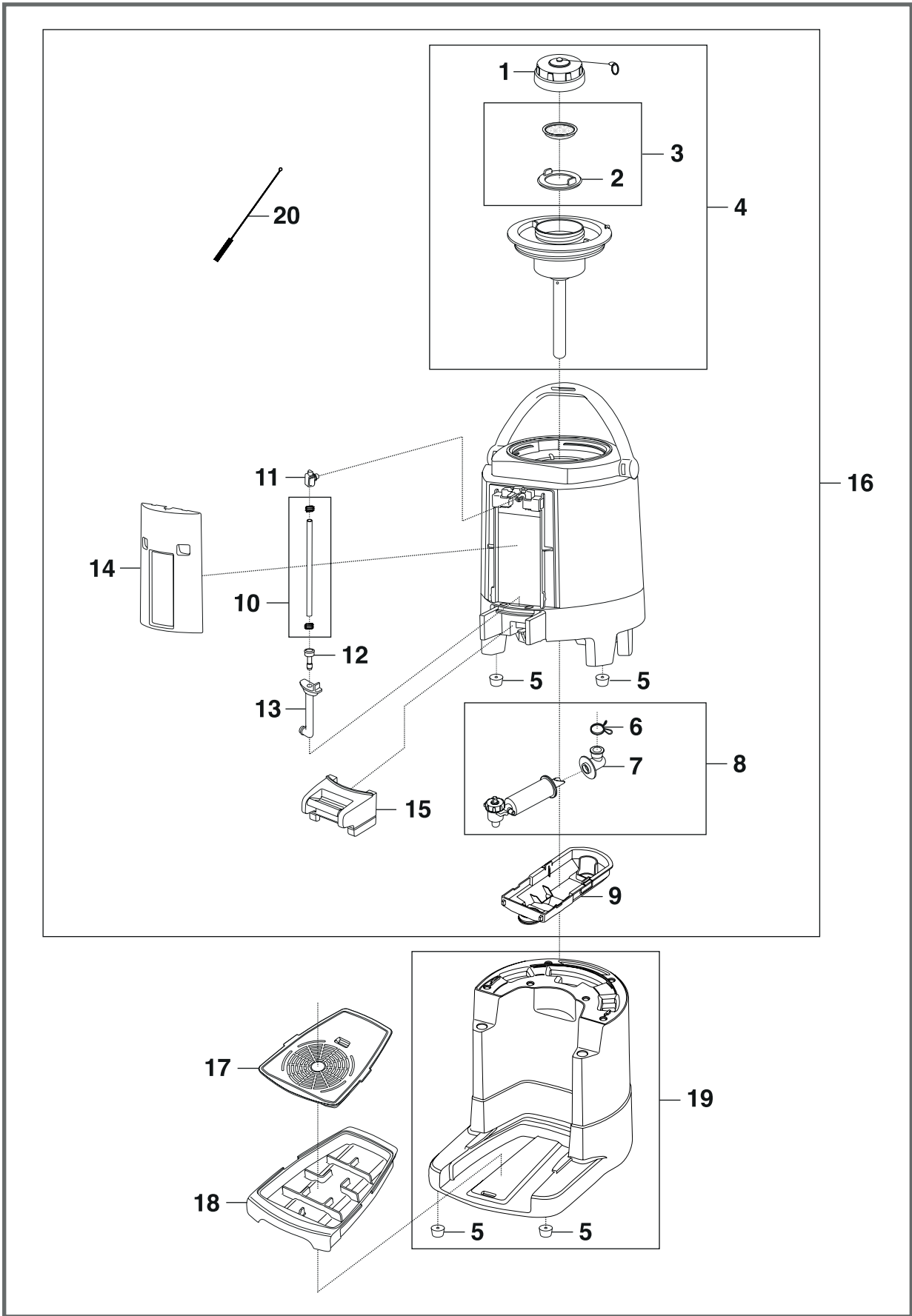
Replacement Parts

Replacement Parts (Stopper Set, Valve Set, Bottom Connection Tube, Sight Gauge Tube Set, Sight Gauge Tube Cover (Top) (Bottom))

We take care in only using materials that are safe and hygienic for food contact. However, if plastic parts become damaged or its surface becomes rough, please replace them for optimum performance. The Stopper Set, Valve Set, Bottom Connection Tube, Sight Gauge Tube, Sight Gauge Tube Cover (Top) (Bottom) may need to be replaced due to time and wear. Please check them about once a year. When replacing parts, please record the model number and part name beforehand. Then contact either the store where you purchased the product or Zojirushi Customer Service. Replacement parts may be available for an additional charge.

Zojirushi Customer Service
 1-800-733-6270 www.zojirushi.com

ITEM	PART NAME	PART CODE NUMBER	ITEM	PART NAME	PART CODE NUMBER
1	Stopper Cover	BS172K01L-00	11	Sight Gauge Tube Cover (Top)	BS172055L-00
2	Stopper Mesh Rubber	BS172021M-00	12	Sight Gauge Tube Cover (Bottom)	BS172056L-00
3	Stopper Mesh Set	VY60-J	13	Bottom Connection Tube	BS172058M-00
4	Stopper Set	BS172801L-00	14	Sight Gauge Panel	BS172808L-00
5	Leg Rubber	BS172036M-00	15	Pour Lever	BS172K02L-00
6	Joint Seal Rubber Clip	BS172060G-00	16	Main Body (without Serving Base)	SY-BA60N-BA
7	Joint Seal Rubber	BS172059M-00	17	Drip Tray Cover	BS172067L-00
8	Valve Set	BS172809L-00	18	Drip Tray	BS172K05L-00
9	Valve Cover	BS172K03L-00	19	Serving Base	BS172810L-00
10	Sight Gauge Tube Set	BS172K04U-00	20	Brush	7-VYD-P250





www.zojirushi.com

SY-BA ©