

# Operating Instructions

---

Please read this Manual from cover to cover before use, and keep it carefully at hand.

---

## ELECTRIC RICE WARMER (RESTAURANT TYPE)

THA-603 / THA-603S
THA-803 / THA-803S

### INDEX

IMPORTANT SAFEGUARDS.....	1
PRECAUTIONS D'EMPLOI.....	2
MAJOR PARTS NAMES.....	3
HOW TO USE.....	4~5
HEALTH PROTECTIVE PRECAUTIONS.....	6
HOW TO CLEAN.....	Back Page
SPECIFICATIONS.....	Back Page

ZOJIRUSHI CORPORATION

# **IMPORTANT SAFEGUARDS**

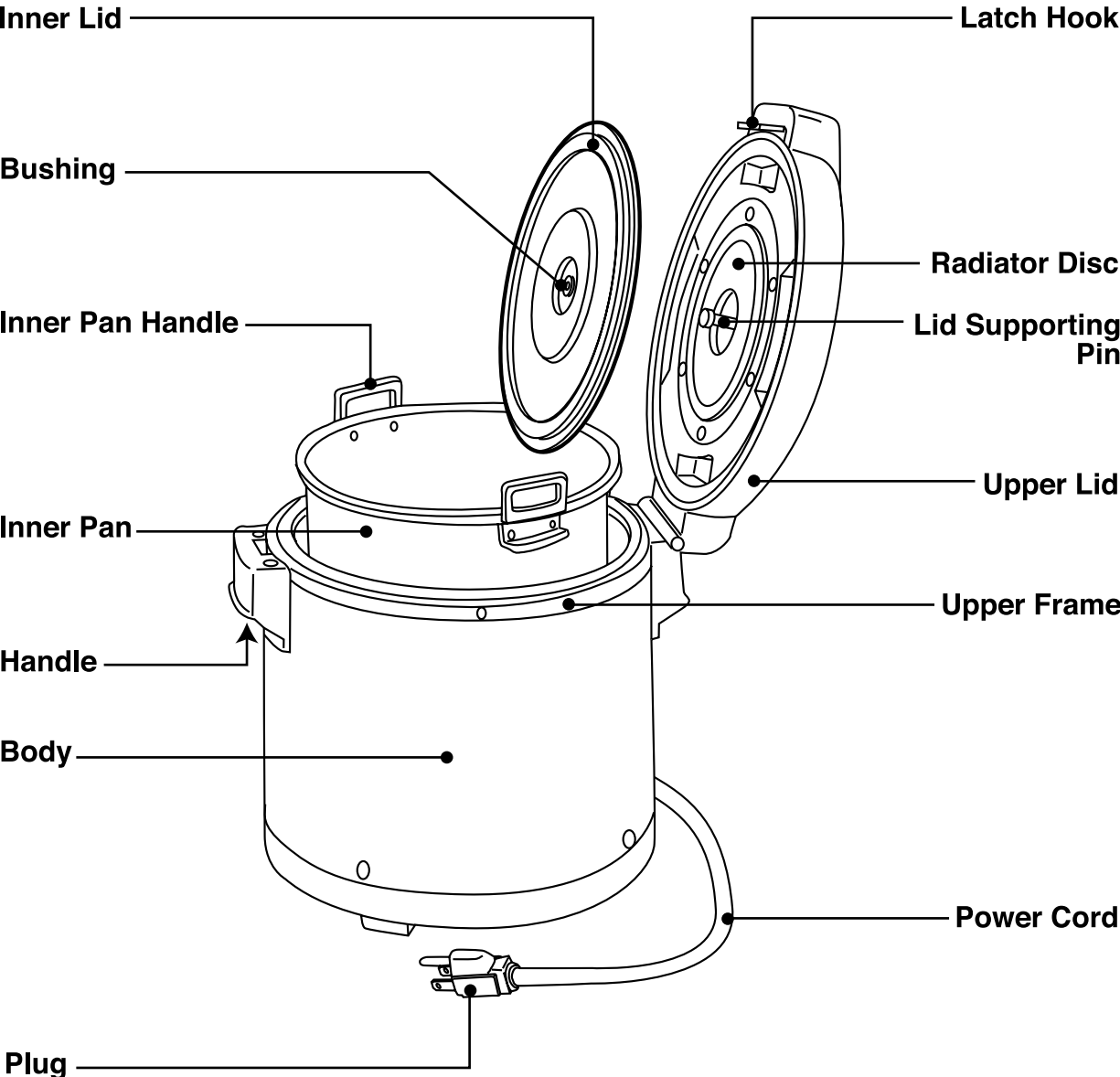
**When installing and using commercial type electrical appliances, basic safety precautions should always be followed including the following:**

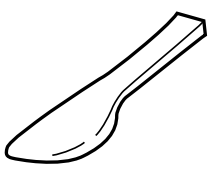
1. Installation must be made in compliance with the applicable local, state, or federal laws, regulations, codes, or ordinances.
2. In most cities, the fire, electric, and safety inspections and permits are required under the local codes for the proper installation of the appliance.
3. To protect against electrical hazards, do not immerse cord, plug, and the warmer in water or other liquid.
4. Do not touch hot surface. Use handle or knob. Do not attempt to move or carry the warmer when it has content.
5. Do not operate any appliance with a damaged cord or plug, or after the appliance malfunctions, or has been damaged in any manner. Return appliance to the nearest authorized service facility for examination, repair, or adjustment.
6. The use of accessory attachments not recommended by the appliance manufacturer may cause hazards.
7. Do not let cord hang over edge of table or counter or touch hot surface.
8. Do not place on or near a hot gas or electrical heating or cooking appliances in use.
9. Do not use outdoors.

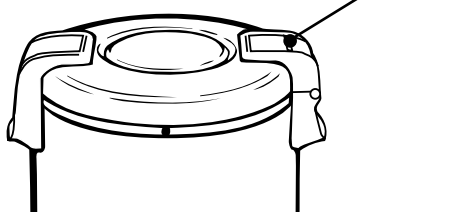
## **SAVE THESE INSTRUCTIONS**

# MAJOR PARTS NAMES

---



<b>Accessories</b>

<b>Spatula</b>

<b>Orange Lamp "ON" while operated</b>


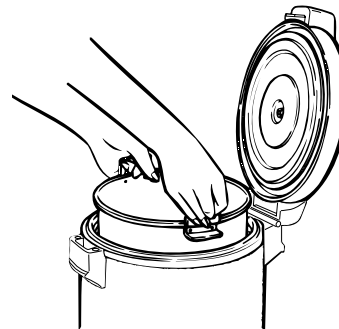
# HOW TO USE

---

- 1** Wipe the inner pan and the inner lid clean and dry.



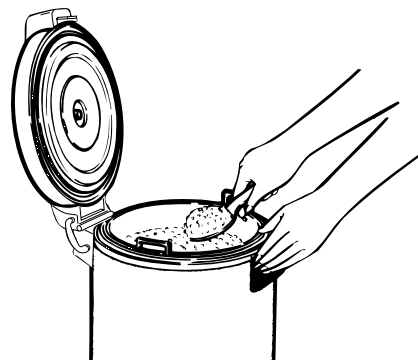
- 2** Place the pan in the warmer, and cover the lid properly.



- 3** Plug in and pre-heat the warmer for 30 minutes before use.  
Use the wall outlet only for electric power supply.



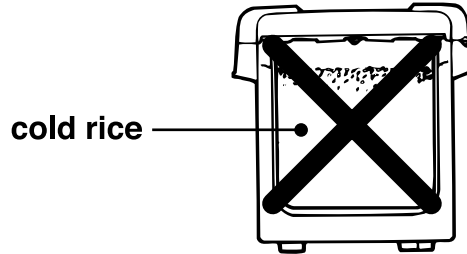
- 4** When the warmer is thoroughly warmed, put cooked rice in the pan.



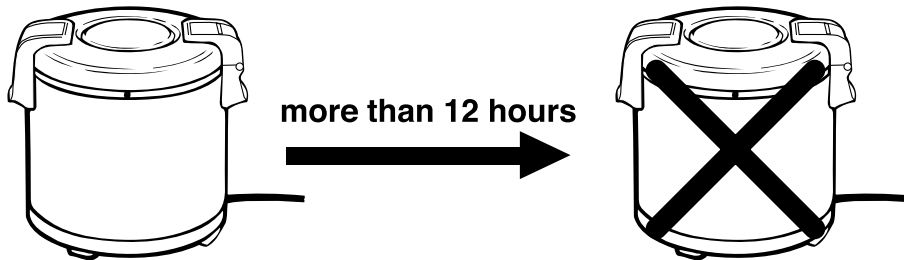
# HOW TO USE

---

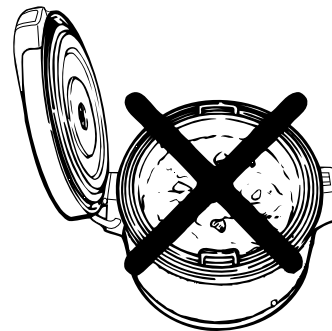
**5** The warmer can keep its contents warm only if the rice that is put into the pan is really hot.



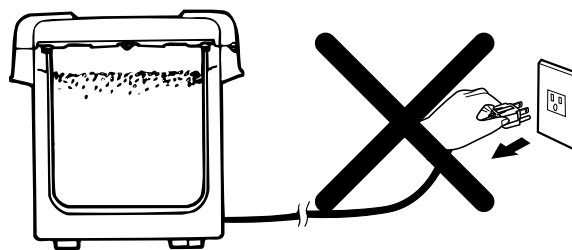
**6** It is not recommended to keep the contents in the warmer for more than 12 hours.



**7** It is not designed to re-heat cold rice. Do not attempt to use the warmer for re-heating cooked cold rice, soup, water, and other liquid.



**8** Do not unplug the cord while the warmer is in use.



# HEALTH PROTECTIVE PRECAUTIONS

---

**IF THE RICE SMELLS BAD, the cause could be one of the following reasons :**

- 1** Fresh, hot rice is added over and on top of the pre-warmed rice in the warmer for more than recommended time.
- 2** Cold or cooled rice is re-heated in the warmer.
- 3** The lid is not closed firmly and properly.
- 4** The electric power supply is intermittent.
- 5** The contents is kept in the warmer beyond the recommended time - 12 hours.
- 6** A spatula or spoon or foreign material is left in the warmer while it is in use.
- 7** The inner pan is not clean when it is filled with the cooked rice.
- 8** Possible mechanical malfunction, causing extraordinary low temperature.

**THE RICE WILL SHOW A YELLOWISH COLOR, IF ;**

- 9** The rice is kept in the warmer over 12 hours.
- 10** There is a mechanical malfunction, causing extra-ordinary high temperature.

**IN EITHER CASE, DO NOT SERVE THE SPOILED FOOD TO ANY BODY. Empty, clean, and dry the inner pan and inner lid thoroughly before you use it again.**

# HOW TO CLEAN

---

- 1** To prevent electrical shock hazards, do not immerse the warmer, except the inner pan and inner lid, into water nor into any other liquid.
- 2** Remove the inner pan and inner lid ; dip them into luke warm water. When cleaning the heating pot, use a moist cloth and wipe dry.
- 3** Clean the inner pan and inner lid at least once a day.

# SPECIFICATIONS

---

Model No.	THA603/603S	THA-803/803S
Capacity by volume	6L (1.58Gallons)	8L (2.1Gallons)
Capacity by Rice	33 cups	44 cups
Power Source	AC120V	
Power Consumption	77W	
Power Cord	1.4m(4.6feet)	
Dimensions (inches)	Approx.18(W)×15(D)×13(H)	Approx.18(W)×15(D)×16(H)
Weight	12.1 lbs.	14 lbs.
Accessory	Spatula.....1	

[www.zojirushi.com](http://www.zojirushi.com)

